



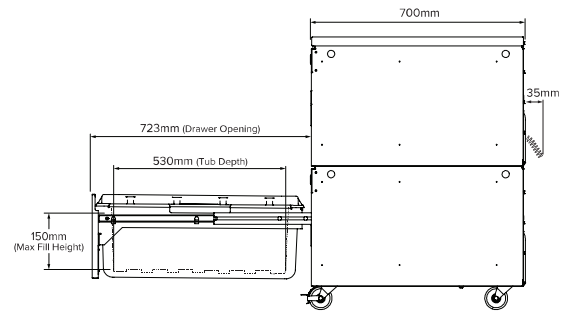
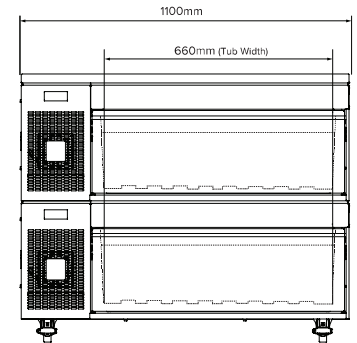
VLS2 - SIDE ENGINE

Slimline / Double Drawer

Product Information:

- Modular refrigerated drawer system, providing bulk storage in a range of different configurations for extreme versatility (can be configured as a worktop or undercounter system)
- Energy efficient, insulated containers adopt 'hold the cold' technology when drawer is opened
- Low velocity cooling ensures stable temperatures and exceptional humidity control, prolonging shelf life by preventing food dehydration
- Precise temperature control in 1°C increments with adjustable digital temperature controller (15°C - -22°C)
- Designed to operate in ambient temperatures up to 40°C
- External drawer runners for hygiene and ease of cleaning
- Low maintenance internal condenser
- **Must** be installed level with a 5mm fall to the rear
- **24 month parts and labour warranty, extended 5 year warranty available upon registration**

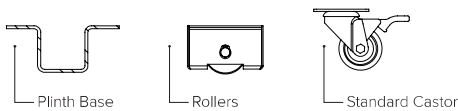
NOTE: Adande units are not designed as a dedicated servery cabinet for delicate products such as Ice-cream/Sorbet/Gelato/frozen Yoghurt and Frozen berries. For optimal energy efficiency and temperature stability the drawers should always be closed firmly and as quickly as possible during use.



Configurations:

| Models | Base Configuration | Top Configuration | W x D x H (mm) | Weight | Max Loading Weight | Packed Dimensions (mm) | Packed Weight |
|----------|--------------------|-------------------|------------------|--------|--------------------|------------------------|---------------|
| VLS2.PT | Plinth Base | Cover Top | 1100 x 700 x 699 | 142 kg | 0 kg | 1220 x 770 x 917 | 179 kg |
| VLS2.RW | Rollers | Solid Work Top | 1100 x 700 x 738 | 151 kg | 230 kg | 1220 x 770 x 953 | 188 kg |
| VLS2.RHS | Rollers | Heatshield Top | 1100 x 700 x 779 | 162 kg | 230 kg | 1220 x 770 x 944 | 198 kg |
| VLS2.CT | Standard Castor | Cover Top | 1100 x 700 x 772 | 144 kg | 0 kg | 1220 x 770 x 987 | 180 kg |
| VLS2.CW | Standard Castor | Solid Work Top | 1100 x 700 x 784 | 152 kg | 230 kg | 1220 x 770 x 999 | 188 kg |
| VLS2.CHS | Standard Castor | Heatshield Top | 1100 x 700 x 822 | 162 kg | 300 kg | 1220 x 770 x 1037 | 199 kg |

Base Options:



Top Options:



General Specifications:

| | | |
|-----------------------|---|----------------|
| Capacity | 75 Litres (per drawer) 4 x 100mm deep 1/1 GN pans 8 x 65mm deep 1/1 GN pans | |
| Natural Refrigerant | R600a | |
| Climate Class | 4 | |
| Heat Rejection | 1.2 kW | |
| Db Rating | 50.6 - 54.2 | |
| Total Power | 230VAC / 50Hz / 0.6kW 10A plug & lead | |
| | Chiller | Freezer |
| Energy Usage kW/24hrs | 1.78 kW | 5.22 kW |
| Running Current | 2.4A | 1.4A |

***INSTALLATION NOTE:** Hard-wired, gas and plumbed equipment **cannot** be directly installed onto the Adande unit. This equipment must be installed above the Adande unit using an independent equipment stand. Installation must be non-fixed to allow service access.

Adande units when installed adjacent to a gas fired cooking equipment, should follow the clearance guidelines detailed in the equipment installation manual for that particular piece of equipment.