

UF1000LF

**BROMIC**  
REFRIGERATION

## Flat Glass Door 976L LED Display Freezer

| Vertical Display & Storage

Adjustable thermostat  
for accurate temperature  
maintenance

High-impact  
LED lighting and  
customizable lightbox

Powerful fan for even  
circulation of cold air

Triple-glazed safety glass  
doors increase energy  
efficiency

Adjustable shelving  
for flexibility in  
display configuration

High-impact internal  
lighting for perfect  
product presentation

High-density  
polyurethane insulation  
keeps temperature and  
energy consumption low

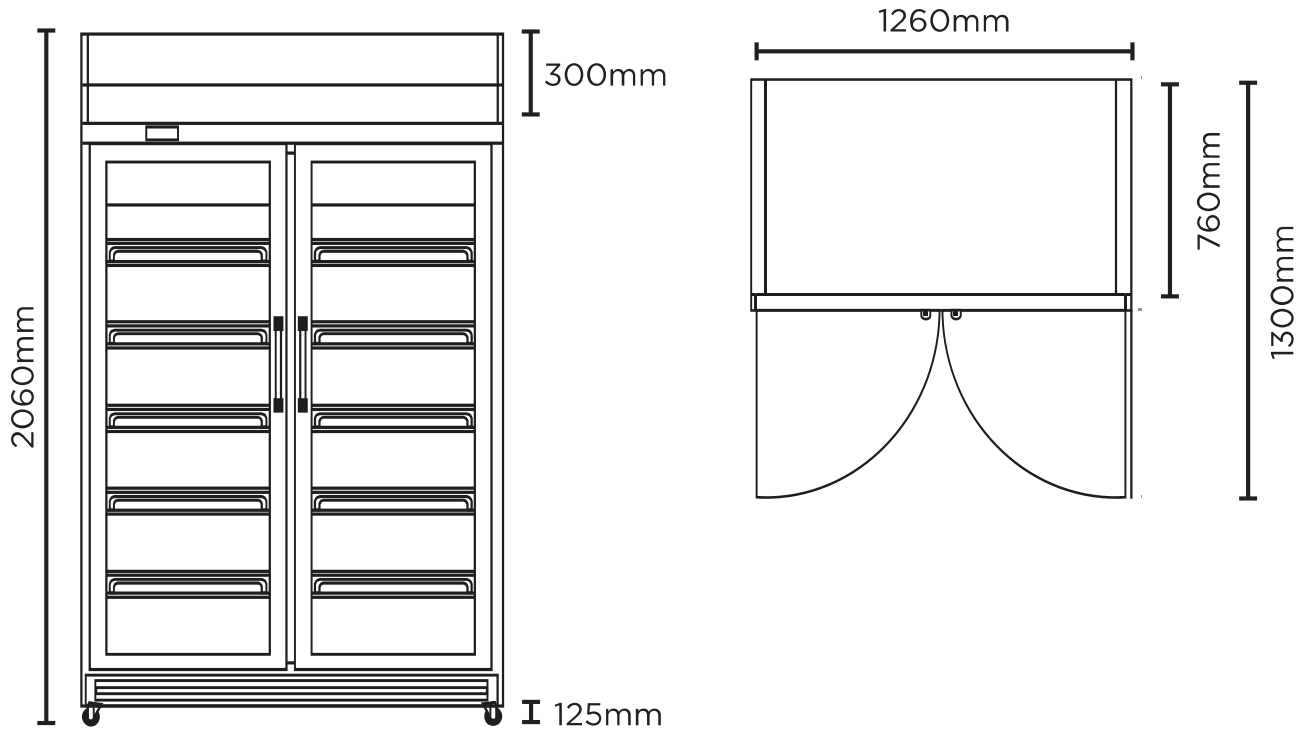
Self-closing  
doors minimise  
temperature loss

Lockable castors  
make movement and  
placement easy



# Flat Glass Door 976L LED Display Freezer

| Vertical Display & Storage



## SPECIFICATIONS

Model Number	UF1000LF
Part Number	3736241
Volume	976L
Unit Weight	199
Packaged Weight	204
Adjustable Temp. Range	-22 to -18°C
Max. Ambient Temp.	38°C
Climate Class	3L1
Energy Consumption	21.5kWh/24h
GEMS Star Rating	3 stars
Refrigeration Capacity	1600W
Refrigerant	R404a
Rated Current	8A
Electrical Voltage	220-240V
Frequency	50Hz
Power Supply	Single Phase
Power Plug	1 x 10A
Plug Location	Top right

Colour	White with s/steel trim
Display Light Box	Yes
Internal Light	LED
No. of Doors	2
Door Type	Glass
Door Glass Type	Triple glazed
Door Style	Hinged
Door Shape	Flat
Door Swing Dimension	720mm
Total Depth of door open	1300mm
Self-Closing Door	Yes
Door Lock	Yes
No. of Shelves incl Base	6
Shelf Type	Adjustable
Shelves Dimensions	546(w) x 475(d) mm
Temp. Controller	Analogue
Castors	Digital
Warranty	2 Years Bromic Extra Care Warranty -

External (mm)	
Width	1260
Depth	760
Height	2060
Internal (mm)	
Width	1143
Depth	550
Height	1420
Packaged (mm)	
Width	1330
Depth	820
Height	2100

## DIMENSIONS