

CH.CD.B.11.100
**Chip Dump
Bench Mounted**

Product Information:

- Chip dump design to fit onto any existing countertop or Adande Compact refrigerated drawer
- Used for keeping chips and other fried foods warm before serving
- 2 x 500W Quartz IR heat lamps utilised above the product, plus single heater pad to evenly disperse heat throughout the product
- 100mm deep curved and perforated tray aids in scooping of chips
- Holes in tray aid to aerate the chips (stop from getting soggy)
- On/Off toggle switch for simple operation with dimmer for gantry heat lamps
- Thermostat with pilot light for warming tray
- 304 grade stainless steel construction.

Included Accessories:

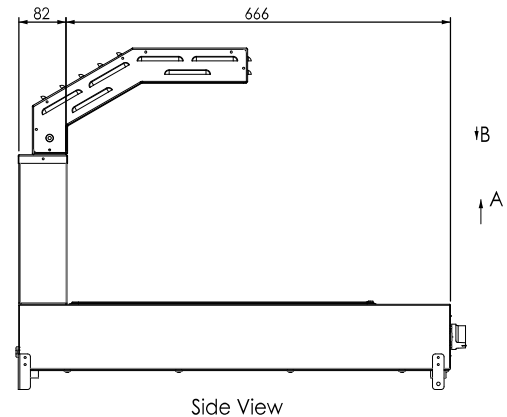
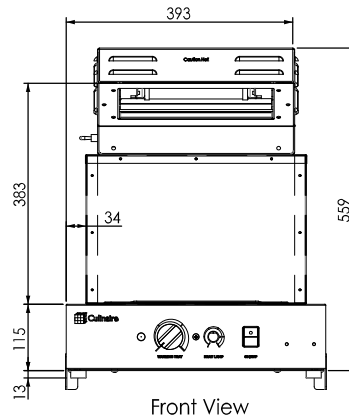
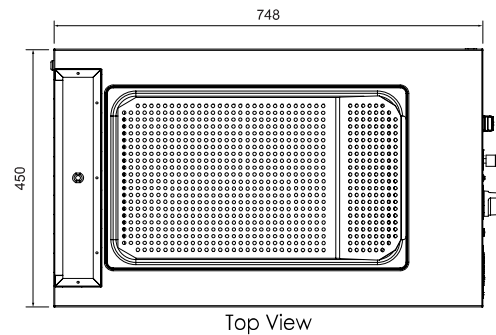
- 1 x 100mm deep curved perforated tray
- 1 x 100mm deep 1/1 GN Pan

Product Code: CH.CD.B.11

CH	Culinaire Heated
CD	Chip Dump
B	Bench Mounted
11	1/1 GN Pan
100	Suits 100mm deep trays

Technical Data:

Dimensions: W x D x H:	450 x 748 x 559
Total Connected Load:	1.25kW
Electrical Connection:	10 Amp (Plug and Lead)



All Culinaire products are supplied with a 12 month parts and labour warranty as standard.