



### PRODUCT ADVANTAGES

- **Compact glasswasher:** with an installation height of only 705 mm ideal for narrow places or with integrated reverse osmosis and an installation height of 820 mm ideal for undercounter installation.
- **VISIOTRONIC-TOUCH control:** single button control with colour code and remaining cycle time indication. With colour display and touch.
- **WASHSMART APP:** controlling your warewash operation with smart technology: status and messages, usage and operating cost, hygiene, order service and consumables
- **1.9 l rinsing:** water consumption per cycle of only 1.9 l which results in a reduction of water, chemicals and energy consumption of 35 %
- **CLIP-IN wash and rinse arms:** wash and rinse arms can be removed with one hand and without any tools
- **Intelligent data documentation:** automatic recording of important operational data and consumptions and indication on the display
- **USB-interface:** comfortable download of operational data in form of a protocol via USB
- **GENIUS-X<sup>2</sup> fine filter system:** advanced filter system with pre-wash function reduces detergent consumption up to 35%
- **Intensive programme:** intensive rinse cycle to wash glasses with critical design with raised fresh-water amount
- **Interlocked strainer:** prevents operation without tank strainer
- **Optional refill signal:** monitors contents of external as well as integrated chemical containers
- **Hygiene programme:** for removal of calcium carbonate and other deposits from wash chamber

### TECHNICAL DATA

Cycle times*	1. 75sec 2. 120sec.
Water consumption	1.9 l/rack
Tank capacity	8 litres
Tank heating	0.8 kW
Power supply	240 / 50 / 1 (415 / 50 / 3N)
Booster loading	
Standard	2.8 kW
Alternative	4.2 kW
Total loading	
Standard	3.2 kW   15A
Alternative	5.4 kW   15A (3ph)
Wash pump	0.6 kW   220 l/min
Rack size	400 x 400 mm
Loading height	315 mm
Noise level	62 dB (A)
Weight (gross / net)	64 / 58 kg

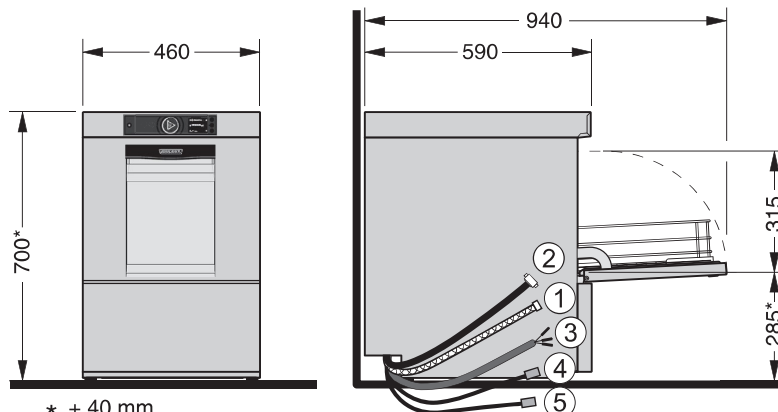
\*Supplied with 150mm adjustable legs

\* Thermostop guarantees required temperatures with cold water and / or 240 V connection, the actual cycle times extend accordingly.  
For machine protection the water hardness should not exceed 3°dH, if higher we recommend using an integrated water softener or an external water softener of the product line HYDROLINE PROTECT.

### DIMENSIONAL DRAWING

#### CONNECTIONS

① Drain hose	2,000 mm   ID20/OD25
② Supply hose	2,000 mm   R 3/4"
Required flow rate	5 l/min
Flow pressure	0.5 (0.8 with softener)-6 bar
Max. supply water temperature	60 °C
③ Power cord	2,000 mm
Supply hose for	
④ Detergent	2,500 mm
⑤ Rinse aid	2,500 mm



\* + 40 mm

\*\* = 815 mm with integrated osmosis \*\*\* = + 150mm adjustable legs

