

**Steam  
BOX**  
EVOLUTION

ESSENCE OF EVOLUTION **COMBI OVENS**



**SPECIFICATION, INSTALLATION  
& OPERATION MANUAL**  
(READ ALL INSTRUCTIONS BEFORE USE)

**Electric Models:**

SEH061WT / SEH062WT  
SEH101WT / SEH102WT  
SEH201WT / SEH202WT

**Gas Models:**

SEHG061WT  
SEHG101WT / SEHG102WT  
SEHG201WT / SEHG202WT

**Page Intentionally Left Blank**

**1.0 Introduction**

1.1 Your New Giorik Product . . . . . 4

1.2 Australia and New Zealand Warranty . . . . . 5

    1.2.1 Warranty Period

    1.2.2 Warranty Registration

1.3 General Precautions . . . . . 6

    1.3.1 General Warnings

**2.0 Installation**

2.1 Setting Up Information . . . . . 7

    2.1.1 Handling

    2.1.2 Unpacking

    2.1.3 Disposal

    2.1.5 Stacked Installation

2.2 Positioning . . . . . 8

    2.2.1 General Information

    2.2.2 Spacing

    2.2.3 Levelling 6/1GN, 6/2GN, 10/1GN, 10/2GN

    2.2.4 Levelling 20/1GN, 20/2GN

2.3 Electrical Connection . . . . . 11

    2.3.1 Information

    2.3.2 Wiring

2.4 Gas Connection (Gas Models Only) . . . . . 13

    2.4.1 Connecting the gas

    2.4.2 Rating Plate - Check Before Installation

    2.4.3 On-site Commissioning Adjustment

    2.4.4 Gas Conversion

    2.4.5 Ventilation/Extraction

2.5 Water Connection. . . . . 16

    2.5.1 Chloride Test

    2.5.2 Total Dissolved Solids (TDS) Test

    2.5.3 Filtration System

    2.5.4 Stoddart Standard Filter

    2.5.5 Stoddart Supplied Reverse Osmosis Filter

2.6 Drainage Connection . . . . . 20

2.7 Liquid Detergent / Rinse Agent Connection . . . . . 20

2.8 Oven Testing . . . . . 21

    2.8.1 Gas Oven Operation

**3.0 Specification**

3.1 Technical Drawing . . . . . 22

    3.1.1 SEHE061WT

    3.1.2 SEHE062WT

    3.1.3 SEHE101WT

    3.1.4 SEHE102WT

    3.1.5 SEHE201WT

    3.1.6 SEHE202WT

    3.1.7 SEHG061WT

    3.1.8 SEHG101WT

    3.1.9 SEHG102WT

    3.1.10 SEHG201WT

    3.1.11 SEHG202WT

**4.0 Operation**

Due to continuous product research and development, the information contained herein is subject to change without notice.

4.1 General Overview. . . . . 28

    4.1.1 Control Interface

    4.1.2 Gas Burner (Gas Models Only)

    4.1.3 No Gas Alarm - Reset (Gas Models Only)

    4.1.4 Cooking Methods

    4.1.5 Cooking Screen Icons:

4.2 Setup - Configuration Menu . . . . . 31

    4.2.1 Date and Time / Language

    4.2.2 System Info

    4.2.3 Shower Block/Unblock

4.3 Manual Cooking . . . . . 32

    4.3.1 Initial Settings

    4.3.2 Selecting The Cooking Method

    4.3.3 Selecting The Temperature

    4.3.4 Setting Preheating

    4.3.5 Time Setting:

    4.3.6 Core Probe:

    4.3.7 Delta T( $\Delta t$ ):

    4.3.8 Fan Rotation Speed

    4.3.9 Manual Adjustment of Vent

    4.3.10 Setting Moisture Percentage for Combi Mode

    4.3.11 Steam Tuner Function

    4.3.12 Holding Phase

    4.3.13 Setting Multiple Cooking Phases (optional)

    4.3.14 Cooling Phase

    4.3.15 Smoking Phase

    4.3.16 Setting New Phases With Text Messages

    4.3.17 To Delete a Phase

    4.3.18 Saving a Recipe

    4.3.19 Delete a Cooking Program

    4.3.20 Rename a Cooking Program

    4.3.21 Move a Cooking Program

4.4 Automatic Cooking . . . . . 48

    4.4.1 Cooking Program Selection

    4.4.2 How To Use The Automatic Cooking Program

4.5 Special Automatic Cooking Programs. . . . . 49

    4.5.1 Regeneration

    4.5.2 Rack Control - Manual Setting

    4.5.3 Rack Control - Menu Setting

    4.5.4 Rack Control - Easy Service

4.6 Special Functions. . . . . 53

    4.6.1 Cooling Of The Chamber

    4.6.2 Delayed Start

4.7 Importing / Exporting Recipes and Log To USB . . . . . 54

    4.7.1 Import / Export

4.8 Display LOG . . . . . 55

4.9 HACCP Protocol . . . . . 55

**5.0 Cleaning and Maintenance**

Contents continued on next page

5.1	Cleaning . . . . .	56
5.1.2	<i>Cleaning and Maintenance Schedule</i>	
5.1.3	<i>Materials Required</i>	
5.1.4	<i>General Information</i>	
5.1.5	<i>Corrosion Protection</i>	
5.1.6	<i>Surface Finish</i>	
5.1.7	<i>Cleaning External Surfaces</i>	
5.1.8	<i>Cleaning Internal Cavity</i>	
5.1.9	<i>Humidity Discharge</i>	
5.1.10	<i>Wash Hose</i>	
5.1.11	<i>Cleaning Glass Door</i>	
5.1.12	<i>Inspect Door Seal</i>	
5.1.13	<i>Inspect Light Switch</i>	
5.1.14	<i>Cleaning Internal Rack</i>	
5.1.15	<i>Rinse Head</i>	
5.1.16	<i>Control panel ventilation filter</i>	
5.2	<i>Automatic Cleaning</i>	
5.2.1	<i>Wash Selection</i>	
5.2.2	<i>Start the Wash Program</i>	
5.2.3	<i>Stop the Wash Program</i>	
5.3	Boiler Descaling . . . . .	63
5.3.1	<i>Automatic</i>	
5.3.2	<i>Manual</i>	
5.4	Liquid Detergent / Rinse Agent Connection . . . . .	64
5.5	Water Filtration . . . . .	65
5.5.1	<i>Stoddart Supplied Filter - Cartridge</i>	
5.5.2	<i>Stoddart Supplied RO Filter - Cartridges</i>	
5.6	Troubleshooting . . . . .	66
5.6.1	<i>Common Problems</i>	
5.6.2	<i>Door Micro Switch</i>	
5.6.3	<i>Motor Thermal Breaker</i>	
5.6.4	<i>Safety Thermostat Of The Oven Chamber</i>	
5.6.5	<i>Technical Problems / Alarm Code</i>	
5.7	Scheduled Maintenance Service History . . . . .	68
5.7.1	<i>Service Log</i>	
5.8	Accessories and Consumables . . . . .	69
<b>6.0</b>	<b>Notes</b>	
6.1	Notes. . . . .	70

### 1.1 Your New Giorik Product

Thank you for choosing this quality Giorik product.

All Giorik products are designed and manufactured to meet the needs of food service professionals. By caring for and maintaining this new Giorik product in accordance with these instructions, will provide many years of reliable service.

Stoddart is a wholly Australian owned company, which manufactures and/or distributes a comprehensive range of food service equipment for kitchens, food preparation and presentation. Stoddart products are manufactured and/or engineered in Australia to provide excellent results whilst offering value-for-money, ease-of-use and reliability.

---

Carefully read this instruction booklet, as it contains important advice for safe installation, operation and maintenance.  
Keep this booklet on hand in a safe place for future reference by other operators or users.

#### Disclaimer

The manufacturer and distributor cannot be held responsible or liable for any injuries or damages of any kind that occur to persons, units or others, due to abuse and misuse of this unit in regards to installation, removal, operation, servicing or maintenance, or lack of conformity with the instructions indicated in this documentation.

All units made by the manufacturer are delivered assembled, where possible, and ready to install. Any installation, removal, servicing, maintenance and access or removal of any parts, panels or safety barriers that is not permitted, does not comply in accordance to this documentation, or not performed by a **TRAINED AND AUTHORISED SPECIALIST** will result in the **IMMEDIATE LOSS OF THE WARRANTY.**

The manufacturer cannot be held responsible or liable for any unauthorised modifications or repairs. All modifications or repairs must be approved by the manufacturer in writing before initiating. All modifications or repairs performed to this unit must be performed at all times by a **TRAINED AND AUTHORISED SPECIALIST.**

**Stoddart design, manufacture & distribute Food Service Equipment (appliances) exclusively for the commercial market.  
This appliance is not designed nor intended for household or domestic use and must not be used for this purpose.**

This product is intended for commercial use, and in line with Australian electrical safety standards the following warnings are provided:

- This product is not intended for use by persons (including children) with reduced physical, sensory or mental capabilities, or lack of experience and knowledge, unless they have been given supervision or instruction concerning the use of the product by a person responsible for their safety. Children should be supervised to ensure that they do not play with the product
- If the supply cord is damaged, it must be replaced by the manufacturer, its service agent or similarly qualified persons in order to avoid a hazard



## Warranty & Registration

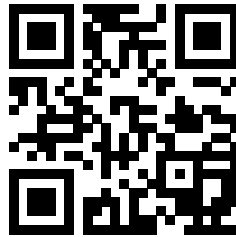
### 1.2 Australia and New Zealand Warranty

#### 1.2.1 Warranty Period

All Stoddart manufactured and distributed products are covered by Stoddart's standard Australia and New Zealand Product Warranty (minimum 12 month on-site parts and labour, terms and conditions apply). Further to this standard warranty, certain products have access to an extended warranty. Full terms, conditions and exclusions can be found using the below Link/QR code.

#### 1.2.2 Warranty Registration

To register your new product, Follow the below Link/QR code.



[www.stoddart.com.au/warranty-information](http://www.stoddart.com.au/warranty-information)

### 1.3 General Precautions

When using any electrical unit, safety precautions must always be observed.

- All units **MUST** be installed according to the procedures stated in the installation section of this manual
- In the case of new personnel, training is to be provided before operating the equipment
- **DO NOT** use this unit for any other purpose than its intended use
- **DO NOT** store explosive substances such as aerosol cans with a flammable propellant in or near this unit
- Keep fingers out of “pinch point” areas
- Unit is not waterproof **DO NOT** use jet sprays, hoses or pour water over/on the exterior of the unit
- Only use this unit with voltage specified on the rating label
- **DO NOT** remove any cover panels that may be on the unit
- **DO NOT** use sharp objects to activate controls
- If any fault is detected, refer to troubleshooting
- The manufacturer declines any liability for damages to persons and/or things due to an improper/wrong and/or unreasonable use of the machine
- Only specifically trained/qualified Technicians (Stoddart, one of our service agents, or a similarly qualified persons) should carry out any and all repairs, maintenance and services

#### 1.3.1 General Warnings

- DO NOT USE OR STORE FLAMMABLE MATERIALS IN OR NEAR THIS APPLIANCE
- DO NOT SPRAY AEROSOLS IN THE VICINITY OF THIS APPLIANCE WHILE IT IS IN OPERATION
- DO NOT MODIFY THIS APPLIANCE
- DO NOT PLACE ARTICLES ON OR AGAINST THIS APPLIANCE


The equipment complies with the essential requirements of the Low Voltage Directive 2006/95/EC and Electromagnetic Compatibility Directive 2004/108/EC

It meets the provisions of the following electrical, Watermark and Gas standards:

- AS/NZS 60335.1
- AS/NZS 60335.2.42
- AS/NZS 4563, AS/NZS 5601
- AS/NZS 1869
- WMTS-101

**2.1 Setting Up Information**

	<b>IMPORTANT</b>
	To be installed only by an authorised service technician

	<b>WARNING</b>
	Improper installation, adjustments, alterations, service or maintenance can cause property damage, injury or death

**2.1.1 Handling**

- Use suitable means to move the unit;
  - For smaller items use two people
  - For large items a fork lift, pallet trolley or similar (the forks should reach completely beneath the pallet)

**2.1.2 Unpacking**

- Check the unit for damage before and after unpacking. If unit is damaged, contact the distributor and manufacturer
- Should any item have physical damage, report the details to the freight company and to the agent responsible for the dispatch within seven (7) days of receipt. No claims will be accepted or processed after this period
- Remove all protective plastic film, ties and packers before installing and operating
- Clean off any remaining residue from the interior/exterior of the unit using a clean cloth dampened with warm soapy water

**2.1.3 Disposal**

- At the end of the appliance's working life, make sure it is scrapped & components recycled properly
- Current environmental protection laws in the state/country of use must be observed
- Doors must be removed before disposal
- Power supply cable must be removed before disposal
- For further information on the recycling of this product, contact the local dealer/agent or the local body responsible for waste disposal

**2.1.5 Stacked Installation**

	<b>IMPORTANT</b>
	<b>FOR STACKED OVEN INSTALLATIONS, THIS MANUAL IS TO BE USED IN CONJUNCTION WITH THE STACKING INSTALLATION MANUAL (SUPPLIED WITH STACKING KIT)</b>



### 2.2 Positioning

	<b>IMPORTANT</b>
	<p><b>Do not install unit under a bench. Under bench installation will void warranty</b></p>

#### 2.2.1 General Information

- The oven must be installed under an extraction canopy that meets AS 1668.2.
- Have a smooth, level floor which can bear the weight of the appliance at full load
- Have a room temperature above +4°C with a maximum humidity of 70%;
- Comply with the regulations in force in terms of safety in the workplace and the systems;
- Not contain potentially explosive materials or substances;
- Be dedicated to food preparation. In addition, a gas-fired appliance requires, by law, rooms with a surface area and ventilation that are suitable for the power of the oven and that have a means of externally evacuating flue gases
- Please consult national and local standards to ensure that your unit is positioned and ventilated in accordance with any existing requirements
- Do not allow cables or other items to rest/hang over the exhaust vents
- Do not install unit under a bench
- No equipment is to be installed/placed on the Service compartment (top of oven) excluding stacked applications using a Stoddart stacking kit and/or Stoddart Recirculating Hood. The service compartment must be easily accessible. Failure to adhere may add service costs due to lack of access.

#### 2.2.2 Spacing

To allow access to service panel and protection of the control components, the service side of the Combi oven must have the following minimum clearances:

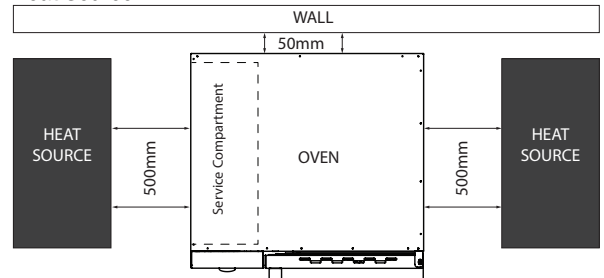
##### Service compartment Heat Source

500mm clearance from another heat source, in order to protect the oven control components and allow access to the service panel. For distances under 500mm, it is mandatory for Stoddart heat shields to be fitted (for a minimum distance of 300mm from the service compartment). Failure to adhere to minimum clearances may void the oven warranty and add service costs due to lack of access

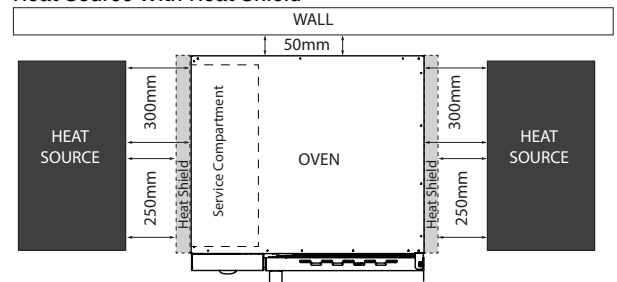
##### Service compartment Non-Heat Source

300mm clearance from a non-heat source to allow access to the service panel. Any distance under 300mm, will add service costs due to lack of access

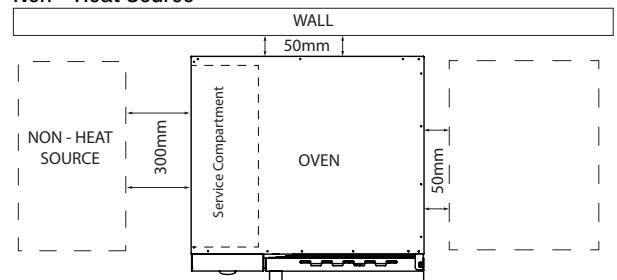
Heat Source



Heat Source With Heat Shield



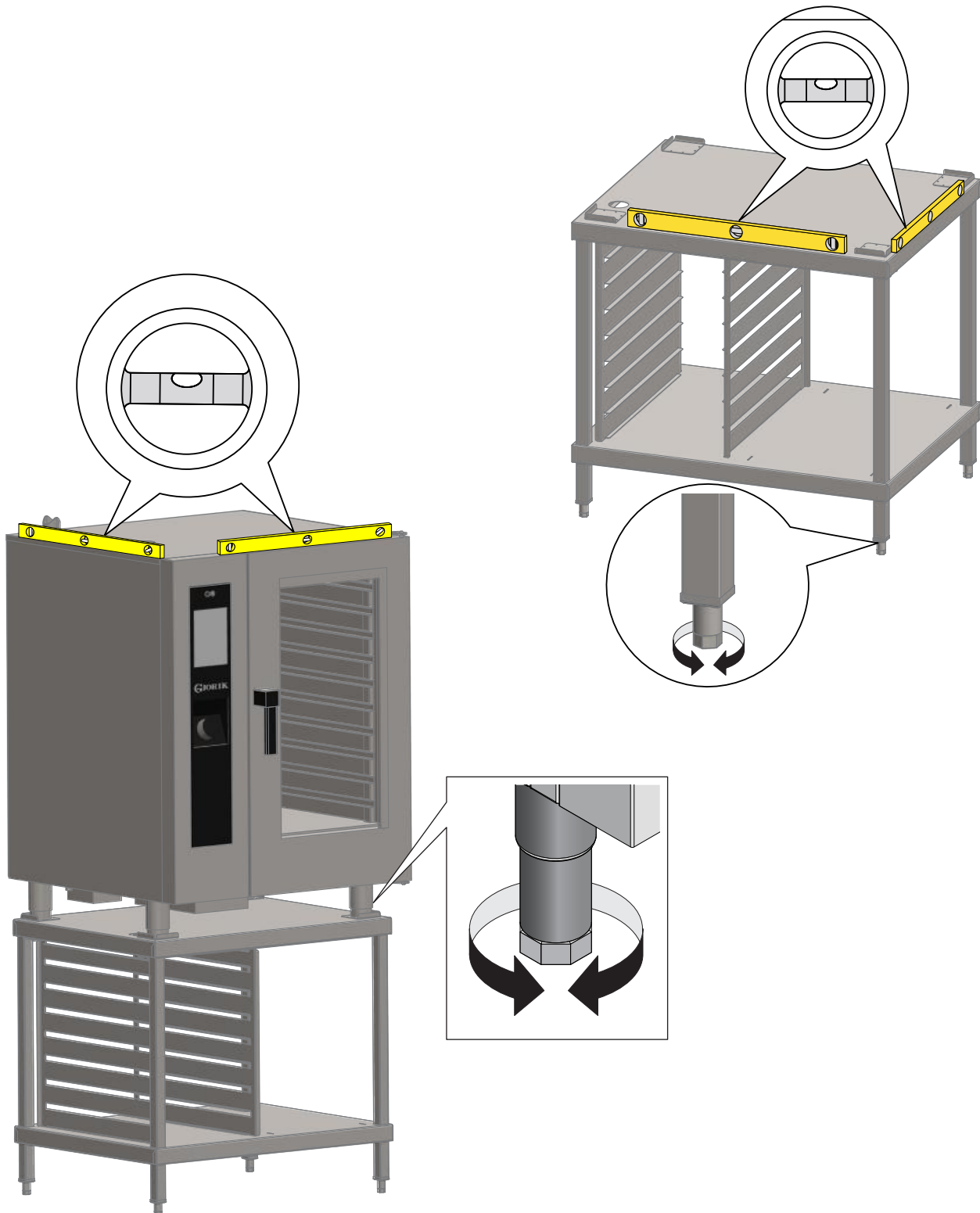
Non - Heat Source



Due to continuous product research and development, the information contained herein is subject to change without notice.

**2.2.3 Levelling 6/1GN, 6/2GN, 10/1GN, 10/2GN**

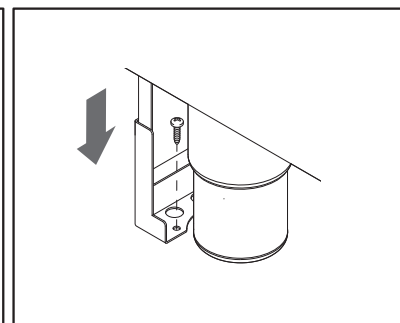
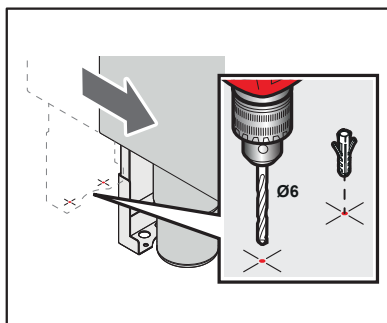
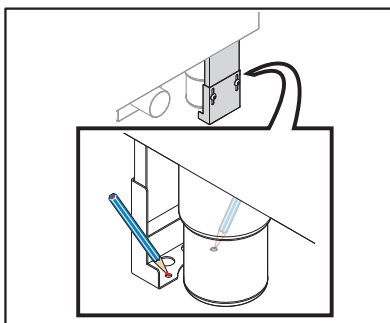
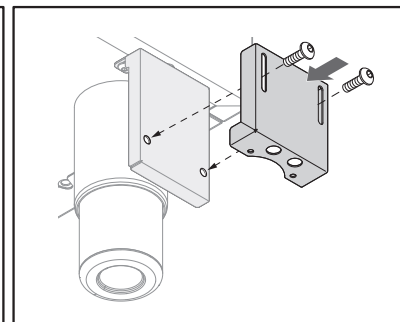
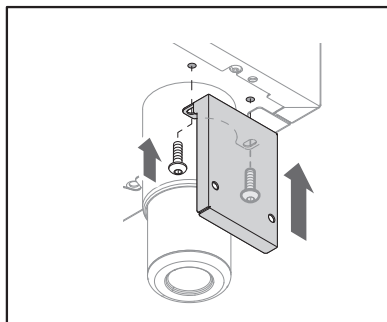
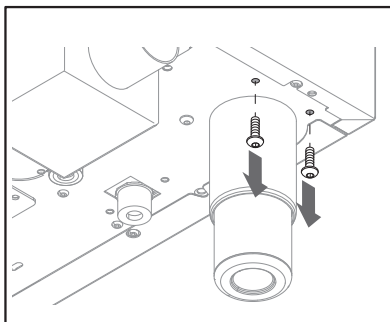
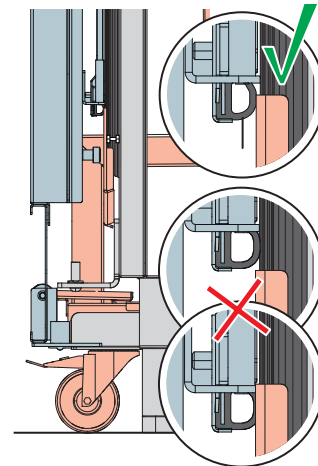
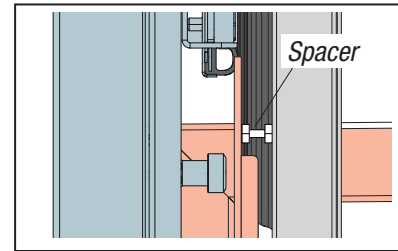
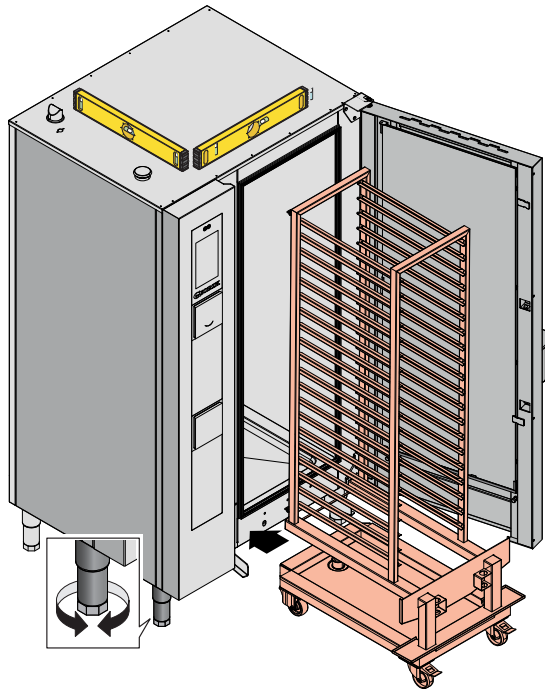
- Using a spirit level, ensure that the Combi oven is level. Adjust the foot height to level Combi oven
- If using a stand, level the stand by adjusting the feet, then level the Combi oven



## 2.0 Installation


### 2.2.4 Levelling 20/1GN, 20/2GN

- For improved safety and stability, the 20 tray oven can be fastened to the ground
- Remove the two screws that secure the rear foot to the frame
- Position the locking brackets and secure to the oven using the previously removed screws
- Attach the bracket foot to the locking bracket, let bracket foot sit on ground, then tighten
- Ensure that the oven is in the correct installation position, mark the hole locations of the bracket on the floor
- Move the oven forward, drill the marked holes (6mm hole) and insert a suitable fixing plug
- Push the oven back into position aligning the bracket with the drilled holes. Secure the bracket to the ground with fixing screws



## 2.3 Electrical Connection

### 2.3.1 Information

	<b>WARNING</b>
	<p style="text-align: center;">This unit must be installed in accordance with AS/NZS 60335.1</p> <p>Some procedures in this manual require the power to the equipment to be turned off and isolated. Turn the power OFF at the power point and unplug the power supply lead by the plug body. If the power point is not readily accessible turn the equipment off at the isolation switch or the circuit breaker in the switchboard. Attach a yellow "CAUTION-DO NOT OPERATE" tag. This must be performed where relevant unless the procedures specify otherwise.</p> <p style="text-align: center;"><b>FAILURE TO DO SO MAY RESULT IN ELECTRIC SHOCK.</b></p>

#### Single Phase GAS Units:

- Supplied and fitted with an appropriately rated plug and lead

#### Three Phase Units:

- A terminal block for on-site connection, by a licensed electrician located inside the service compartment of the unit, indicated as:  
- 3Ø + N + E

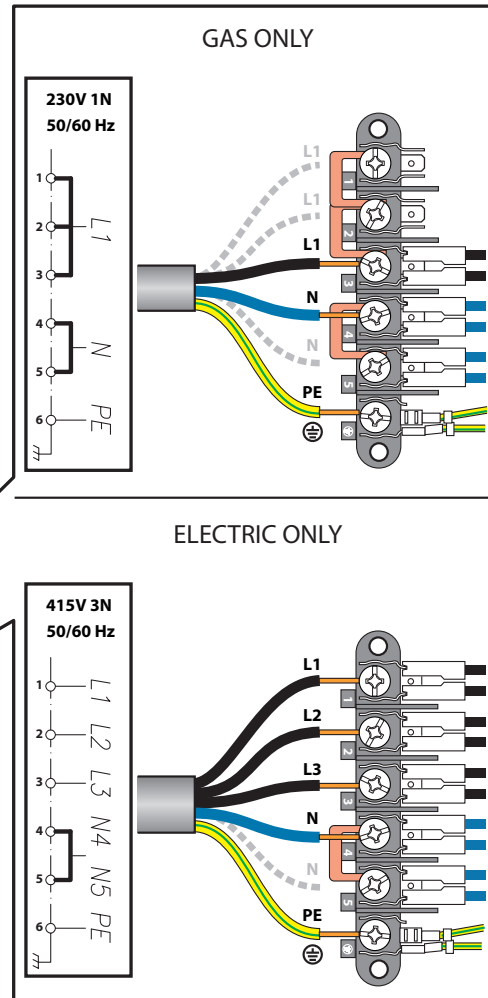
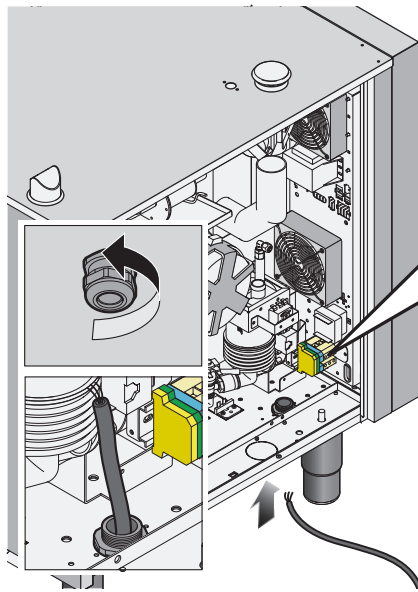
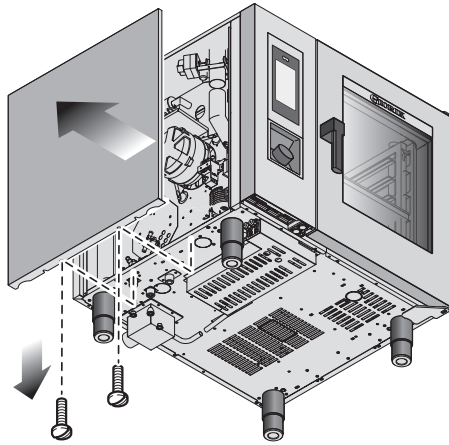
#### Notes:

- If the supply cord is damaged, it must be replaced by the manufacturer, its service agent or similarly qualified persons in order to avoid a hazard. Please contact Stoddart for parts and we will advise how to do this in order to avoid any electrical hazard
- The power cable should be dry and/or isolated from moisture or water

## 2.0 Installation

### 2.3.2 Wiring

1. Remove service compartment cover
2. Connect electrical wiring, following the below wiring diagram  
After connecting wires, use a multimeter to check:
  - There is no electrical dispersion between the phases and the earth
  - For electrical continuity between the external casing and the mains earth
3. Reinstall service compartment cover
4. Secure wiring cable by fastening the cable gland nut



<b>Model</b>	<b>SEHE061WT</b>	<b>SEHE062WT</b>	<b>SEHE101WT</b>	<b>SEHE102WT</b>	<b>SEHE201WT</b>	<b>SEHE202WT</b>
<b>Weight</b>	107	170	140	190	260	340
<b>Power (kW)</b>	11.4 415V 3Ø + N + E (3 x16A)	23.1kW 415V 3Ø + N + E (3 x33A)	18.2kW 415V 3Ø + N + E (3 x26A)	28.3kW 415V 3Ø + N + E (3 x40A)	36.7kW 415V 3Ø + N + E (3 x52A)	54.1kW 415V 3Ø + N + E (3 x76A)
<b>Model</b>	<b>SEHG061WT</b>	---	<b>SEHG101WT</b>	<b>SEHG102WT</b>	<b>SEHG201WT</b>	<b>SEHG202WT</b>
<b>Weight</b>	135	---	165	220	270	350
<b>Power (kW)</b>	1.4kW 230V 1Ø + N + E 10A Plug and Lead	---	1.5kW 230V 1Ø + N + E 10A Plug and Lead	3.3kW 230V 1Ø + N + E 15A Plug and Lead	3.3kW 230V 1Ø + N + E 15A Plug and Lead	4.1kW 230V 1Ø + N + E 20A Plug and Lead

Due to continuous product research and development, the information contained herein is subject to change without notice.

## 2.4 Gas Connection (Gas Models Only)



### WARNING

This unit must be installed by an authorised person in accordance with this instruction manual, AS/NZS 5601 – Gas installations (installation and pipe sizing), local gas fitting regulations, local electrical regulations, local water regulations, local health regulations, Building Code of Australia and any other government authority.

### 2.4.1 Connecting the gas

Must use restraining cable if oven is installed with flexible gas hose connection and Hose assemblies for use with cooking appliances shall be certified as conforming to AS/NZS 1869 and be Class B or Class D. Quick connect devices if provided, shall be certified to AG 212 (to be AS 4627).

The oven is calibrated originally for operation with the type of gas specified on placing the order. The type of gas for which the oven is adjusted is given on the technical Installation prescriptions The oven installation and commissioning operations must be performed by qualified staff only in compliance with rules and regulations in force. The gas, electrical connections and the installation location of the oven must be in compliance with the regulations and the standards in force.

Model Number	Gas Type	Nozzle (mm)	Nozzle Type	Test Point Pressure (kPa)	Total (MJ/h)	Air/Gas Ratio Adjustment (Turn Clockwise to fully close)
SEHG061WT	Natural Gas	5.0mm	Disc	1.0	43.2	5 Turns (From Closed)
SEHG101WT		5.0mm	Disc		68.4	4 Turns (From Closed)
SEHG102WT		4.6mm	Cylindrical		100.8	5 Turns (From Closed)
SEHG201WT - Upper Burner		5.0mm	Disc		68.4	4 Turns (From Closed)
SEHG201WT - Lower Burner		5.0mm	Disc		68.4	4 Turns (From Closed)
SEHG202WT - Upper Burner		4.6mm	Cylindrical		100.8	5 Turns (From Closed)
SEHG202WT - Lower Burner		4.6mm	Cylindrical		100.8	5 Turns (From Closed)
SEHG061WT		Universal LPG	3.8mm		Cylindrical	2.70
SEHG101WT	3.8mm		Cylindrical	68.4	5 Turns (From Closed)	
SEHG102WT	3.8mm		Cylindrical	100.8	5 Turns (From Closed)	
SEHG201WT - Upper Burner	3.8mm		Cylindrical	68.4	5 Turns (From Closed)	
SEHG201WT - Lower Burner	3.8mm		Cylindrical	68.4	5 Turns (From Closed)	
SEHG202WT - Upper Burner	3.8mm		Cylindrical	100.8	5 Turns (From Closed)	
SEHG202WT - Lower Burner	3.8mm		Cylindrical	100.8	5 Turns (From Closed)	


Note that the air necessary for combustion of the burners is 2 m<sup>3</sup>/h per kW of power installed. This appliance is suitable for connection with rigid pipe or flexible hose. The isolating manual shut-off valve connection point must be accessible when the appliance is installed.

**Natural Gas:** the supplied regulator must be fitted to the appliance inlet connection. Gas pressure must be adjusted to 1.00 kPa when the burner is operating at high flame, the appliance test point is located on the regulator.

**Universal LPG:** the supplied regulator must be fitted to the appliance inlet connection. Gas pressure must be adjusted to 2.70 kPa when the burner is operating at high flame, the appliance test point is located on the regulator.

### 2.4.2 Rating Plate - Check Before Installation

Confirm that this unit has been tested and approved for the type of gas used at the installation location.

 <small>INNOVATIVE COOKING EQUIPMENT SINCE 1983</small>		Imported by: <b>STODDART</b> www.stoddart.com.au
Description: Giorik; Steambox; COMBI OVEN GAS WITH BOILER 10 GN1/1		
Gas Approval No.	Gas Injector 5.0mm for Natural Gas 3.8mm for Universal LPG	Model No: <b>SEHG101WT</b>
 Gas Safety Certified AS4583 SAI-400396 SAI Global	Factory set gas type <input type="checkbox"/> Natural Gas <input type="checkbox"/> Universal LPG	Test Point Pressure 1.00 kPa Natural Gas 2.70 kPa Universal LPG
	Total gas consumption 68.4 MJ/h	Electric Rating V 230 HZ 50 kW 1.5 Ph 1
 AS/NZS 5601 SAFETY CERTIFICATION	 WaterMark AS/NZS 4511 LIC: WM422773	Serial No: <b>002787/03/20</b>

Rating Plate example

Due to continuous product research and development, the information contained herein is subject to change without notice.

### 2.4.3 On-site Commissioning Adjustment

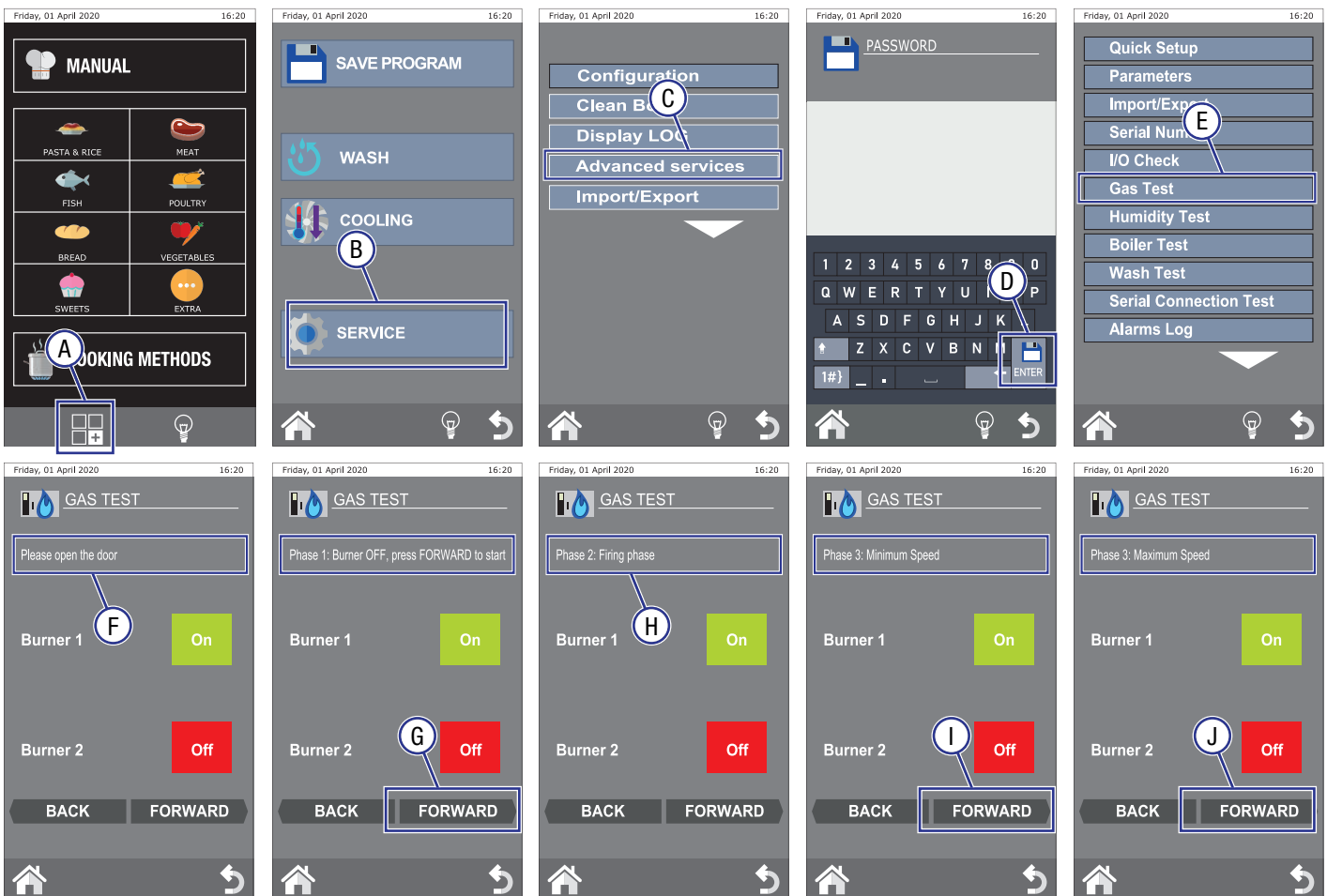
- Ensure the regulator supplied is fitted and the correct inlet gas pressure is adjusted
- From the specification table listed on the previous page please adjust the RQ screw the nominated turns from closed
- Once the unit has been installed and all installation instructions followed please turn the unit on
  - Ensure the cavity is empty of all packaging items

Adjust RQ screw as indicated in the table (Page 9)



#### Gas Test Procedure:

- Press "Settings"
- Press "Service"
- Press "Advanced Services"
- Type the password 156 then press Enter to confirm
- Press "Gas Test"
- The gas test must be carried out with the door open
- Phase 1 - Burner Off. Press "Forward" to begin the gas test procedure
- Phase 2 - Burner ignition
- Phase 3 - Minimum / Maximum power. Press "Back/Forward" to toggle between Minimum / Maximum.
- Press forward when on the Maximum Speed screen to end the procedure



For connection using a flexible hose assembly, the flexible hose assembly must be certified to AS/NZS 1869 class B or D, be of appropriate internal diameter for the total gas consumption, be kept as short as possible (not exceeding 1200mm), must not be in contact with the floor or any hot or sharp surfaces. The hose assembly must not be subject to strain, abrasion, kinking or deformation.

A restraining device must be fitted to restrict the appliance movement to no more than 80% of the gas hose length.

Annual service by an authorised person is recommended, or if any of the following conditions are noticed; incomplete ignition, appreciable yellow tipping, carbon deposition, lifting, floating, lighting back or objectionable odour.

#### **2.4.4 Gas Conversion**

- Please ensure the unit is the correct gas type for the supplied gas. Gas type is nominated on the appliances rating plate
- Should the appliance require converting to an alternative gas type please contact Stoddart as this must be carried out by an Authorised Service Technician

#### **2.4.5 Ventilation/Extraction**

In compliance with the installation regulations, the ovens must be used in premises suitable for the evacuation of combustion products.

The oven must be installed under an extraction canopy that meets AS 1668.2. and in accordance with all local council regulations.

When the appliance is installed under the extraction hood, check that the following indications are respected:

- The volume extracted must be higher than that of the flue gases generated (see current regulation)
- The material with which the hood filter is made must resist the temperature of the flue gases which, on exiting the appliance, can reach 300°C
- The end part of the appliance flue pipe must be positioned inside the base perimeter projection of the hood



### 2.5 Water Connection

IMPORTANT

Selection of the correct water filtration system to suit local water conditions is **CRITICAL**. Failure to install the correct system according to the following guidelines will void warranty.

#### 2.5.1 Chloride Test

1. Remove Titrator from bottle and replace bottle cap immediately
2. Insert lower end of the Titrator into water to be tested (approx 20mm of water). DO NOT allow water to touch yellow completion band at top of Titrator
3. Allow water to completely saturate the wick of Titrator. Reaction is complete when yellow band turns dark
4. Note where the white chloride peak falls on the scale. This represents the unit value
5. Refer to the table to convert the Titrator units into salt concentration

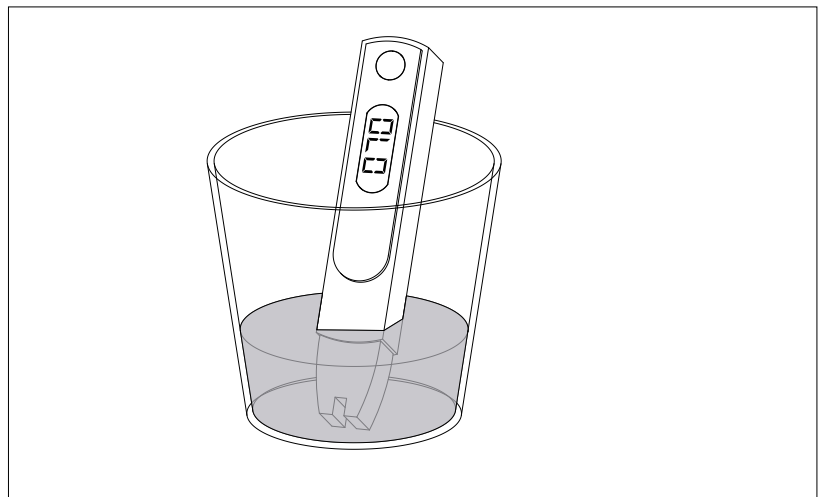
\* Readings greater than 1.4 (32PPM) require a Reverse Osmosis Unit to be installed

\* Readings less than 1.4 (32PPM) require the Total dissolved solids (TDS) be tested

Limit*	ppm(mg/L)			ppm(mg/L)		
	Units	%NaCl	Cl	Units	%NaCl	Cl
1.4	0.005	32	4.6	0.032	196	
1.6	0.006	39	4.8	0.035	212	
1.8	0.007	45	5.0	0.038	229	
2.0	0.009	53	5.2	0.041	248	
2.2	0.010	60	5.4	0.044	267	
2.4	0.011	68	5.6	0.048	288	
2.6	0.013	77	5.8	0.051	311	
2.8	0.014	86	6.0	0.055	335	
3.0	0.016	95	6.2	0.060	361	
3.2	0.017	106	6.4	0.064	389	
3.4	0.019	116	6.6	0.069	419	
3.6	0.021	128	6.8	0.074	452	
3.8	0.023	140	7.0	0.080	487	
4.0	0.025	152	7.2	0.087	525	
4.2	0.027	166	7.4	0.093	567	
4.4	0.030	180	7.6	0.101	613	

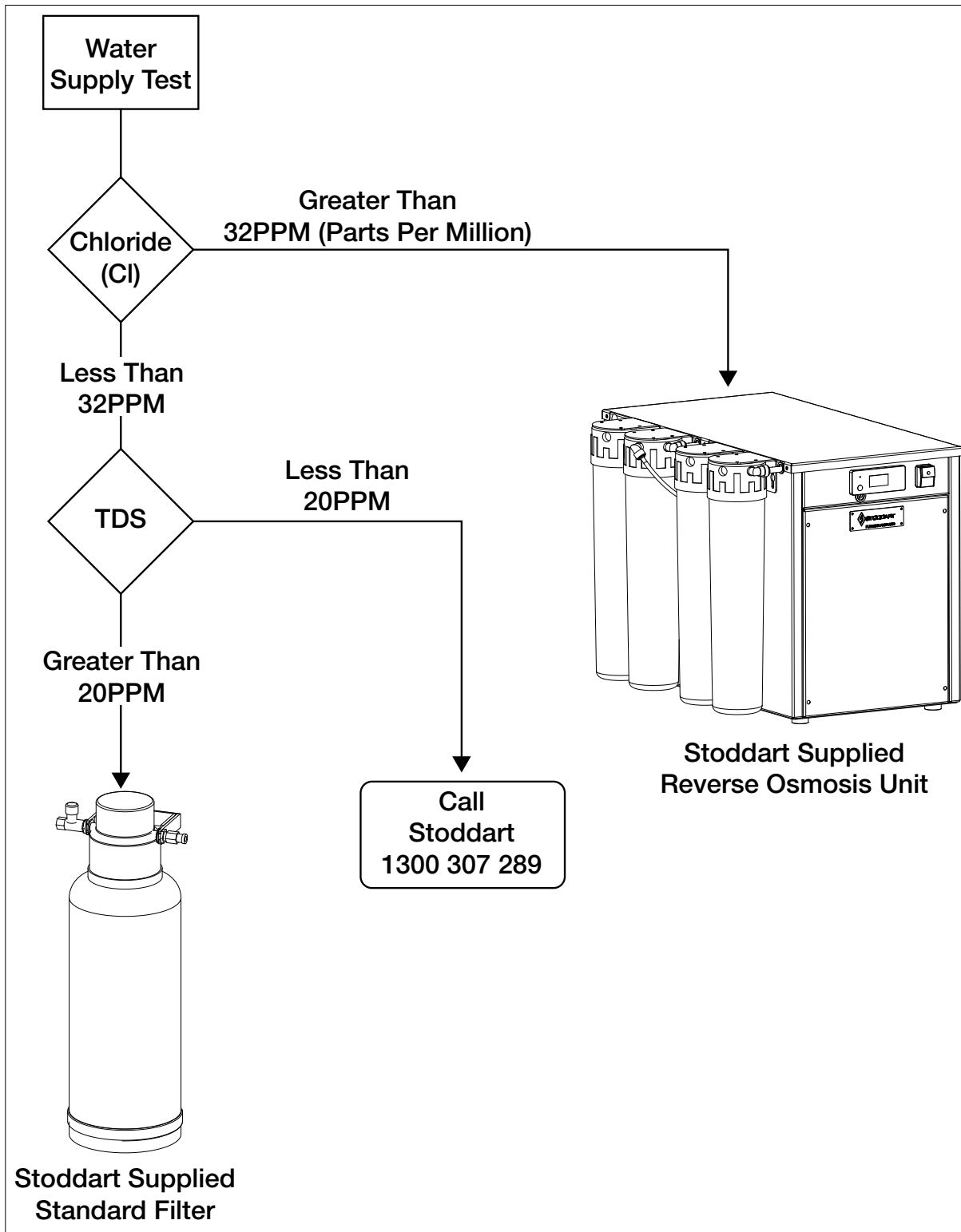
#### 2.5.2 Total Dissolved Solids (TDS) Test

1. Remove the cover from the TDS meter, turn on by pressing the On/Off button. The display should read 000
2. Insert lower end of the TDS meter into water to be tested (approx 20mm of water). DO NOT completely submerge
3. Wait 5-10 seconds
4. The number displayed on meter is the TDS (Total Dissolved Solids) of the water expressed in PPM (parts per million) e.g. TDS = 70PPM
  - Contact Stoddart if reading is lower than 20ppm
5. When finished, turn the TDS meter off



**2.5.3 Filtration System**

- After testing the water supply quality, use the below chart to determine the water filter requirements
- Only Stoddart supplied filter systems can be used



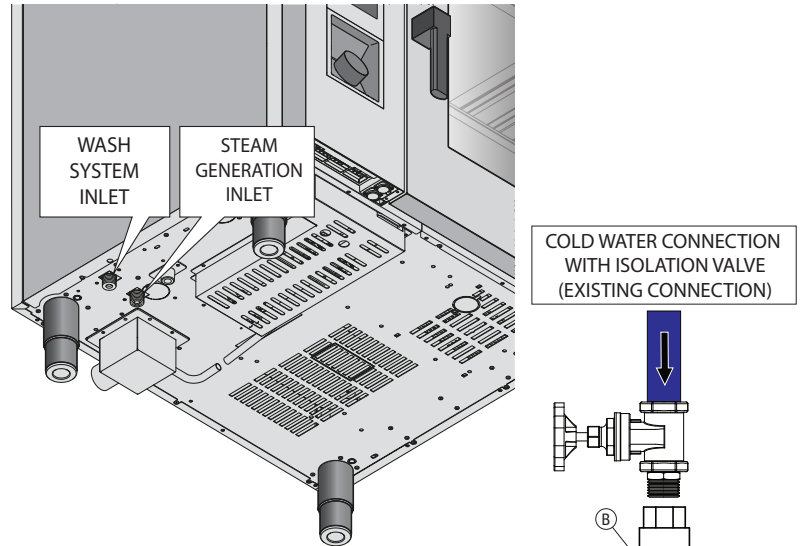
## 2.0 Installation

### 2.5.4 Stoddart Standard Filter

IMPORTANT

This oven must be installed in accordance with AS/NZS 3500.1  
The Oven must be installed with the supplied Dual Check Valve,  
Water Filter and Pressure Limiting Valves

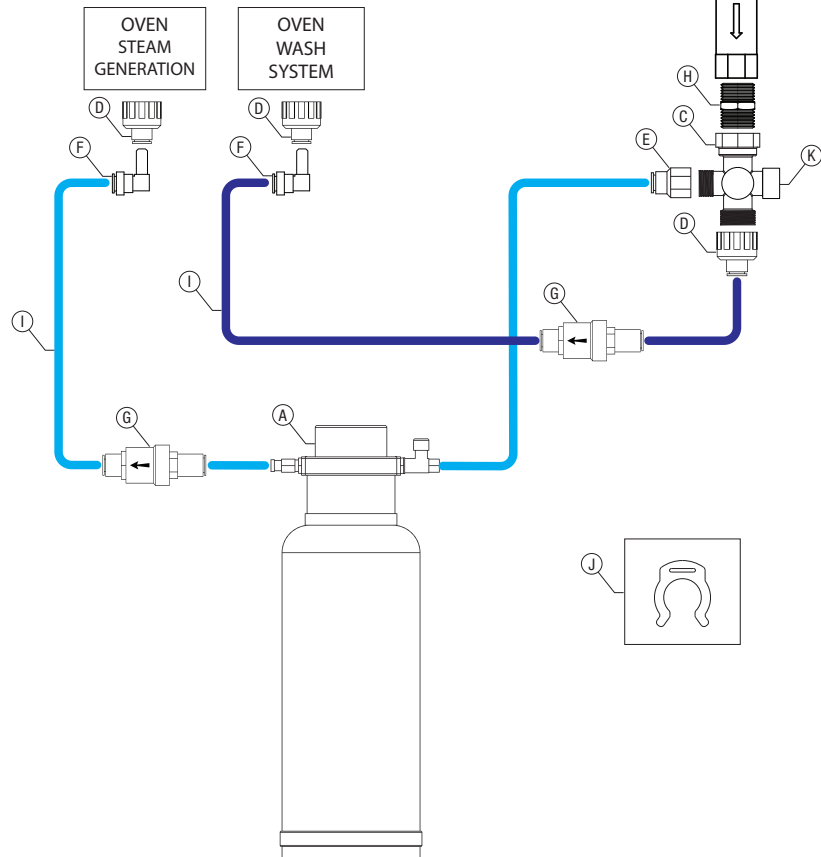
- Water connections are labelled on the oven
- Isolation valve must be installed at the water supply outlet
- **Water Temperature:**  
Cold water connection - Min 10°C, Max 35°C
- **Steam Generation:**  
The Combi oven requires filtered water supplied to its steam generation system. Water pressure must be 150-350 kPa at oven connection. This is controlled with the supplied PLV
- **Wash System:**  
The Combi oven requires unfiltered water supplied to its wash system.  
Water pressure must be 150-350 kPa at oven connection. This is controlled with the supplied PLV
- Refer to the Stoddart Standard Filter user manual for filter setup



#### Supplied Components

##### (Plumbing Kit / Water Filter Kit)

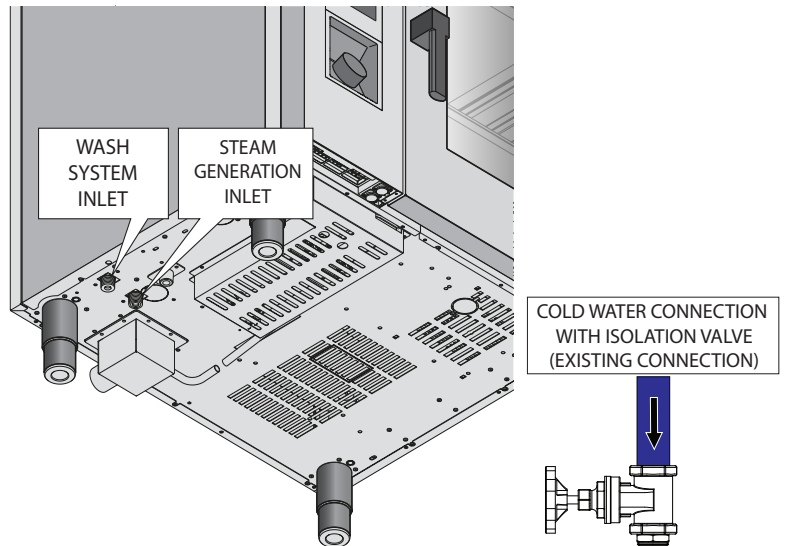
- A. 1 x Stoddart Standard Filter
- B. 1 x Dual Check Valve
- C. 1 x 4 Way Manifold
- D. 3 x 3/4" BSP To 3/8" Tube Connector
- E. 1 x 1/2" BSP To 3/8" Tube Connector
- F. 2 x 3/8" John Guest Stem Elbow
- G. 2 x Pressure Limiting Valve 300-350 Kpa
- H. 1 x Nipple, 3/4" Male
- I. 1 x 3m 3/8 Tube (Water)
- J. 12 x John Guest Locking Clip
- K. Spare outlet



2.5.5 Stoddart Supplied Reverse Osmosis Filter

	IMPORTANT
	<p>This oven must be installed in accordance with AS/NZS 3500.1 The Oven must be installed with the supplied Dual Check Valve, Water Filter and Pressure Limiting Valves</p>

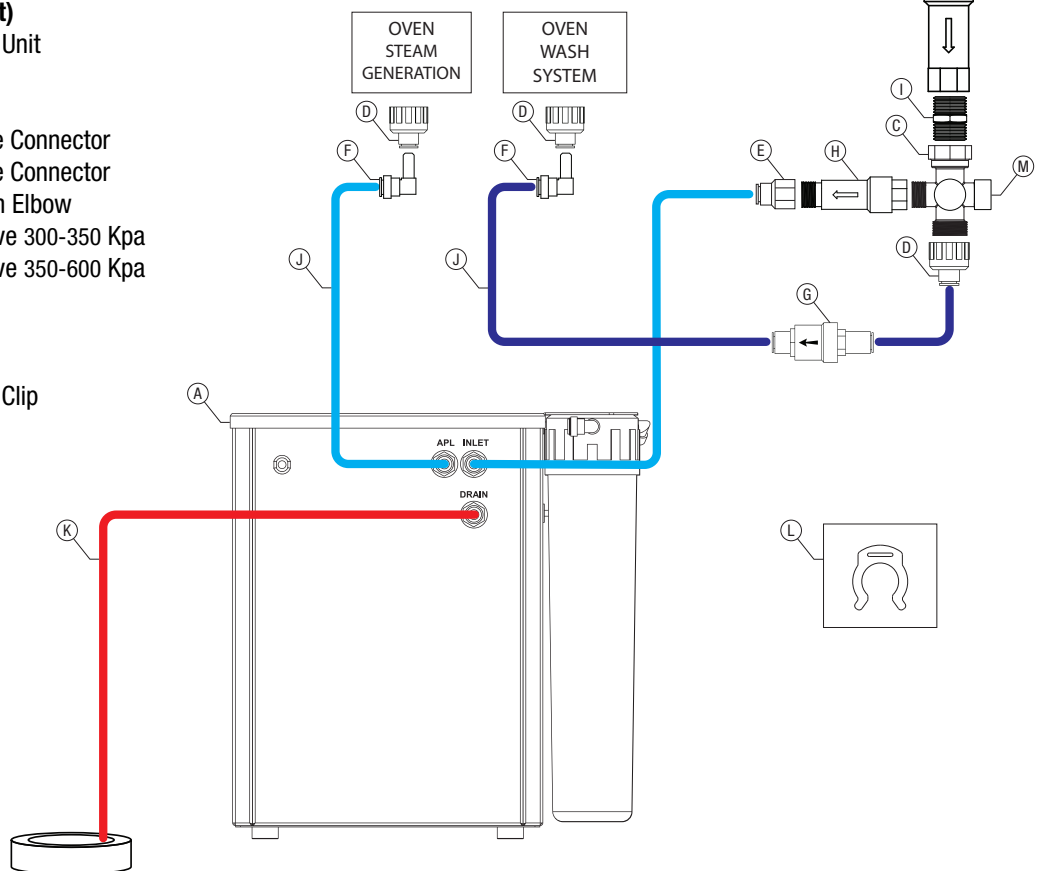
- Water connections are labelled on the oven
- Isolation valve must be installed at the water supply outlet
- **Water Temperature:**  
Cold water connection - Min 10°C, Max 35°C
- **Steam Generation:**  
The Combi oven requires filtered water supplied to its steam generation system. Water pressure must be 150-350 kPa at oven connection. This is controlled with the Stoddart RO system
- **Wash System:**  
The Combi oven requires unfiltered water supplied to its wash system.  
Water pressure must be 150-350 kPa at oven connection. This is controlled with the supplied PLV
- Refer to the Stoddart supplied RO user manual for filter setup



**Supplied Components**

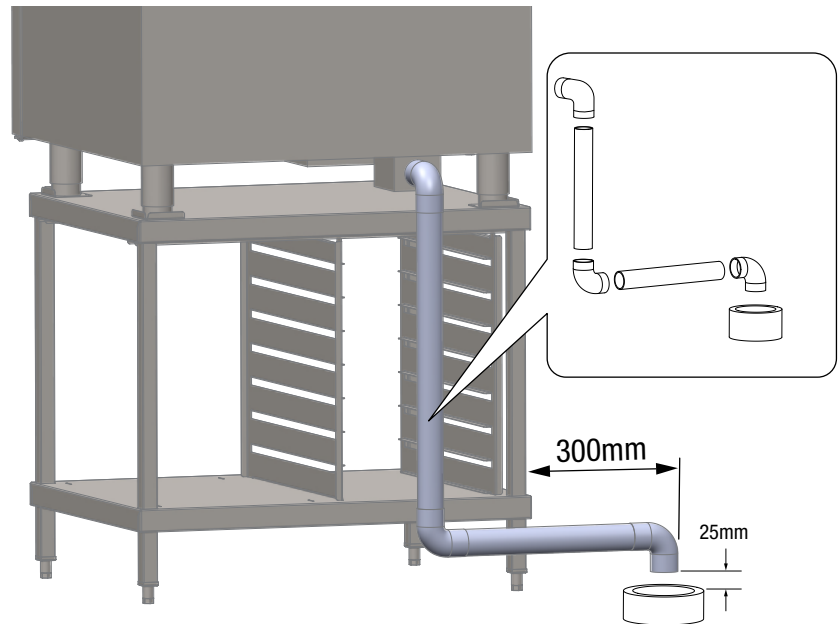
**(Plumbing Kit / Water Filter Kit)**

- A. 1 x Stoddart Supplied Ro Unit
- B. 1 x Dual Check Valve
- C. 1 x 4 Way Manifold
- D. 3 x 3/4" Bsp To 3/8" Tube Connector
- E. 1 x 1/2" Bsp To 3/8" Tube Connector
- F. 2 x 3/8" John Guest Stem Elbow
- G. 1 x Pressure Limiting Valve 300-350 Kpa
- H. 1 x Pressure Limiting Valve 350-600 Kpa
- I. 1 x Nipple, 3/4" Male
- J. 1 x 5m 3/8 Tube (Water)
- K. 1 x 3m 1/4 Tube (Drain)
- L. 11 x John Guest Locking Clip
- M. Spare outlet



### 2.6 Drainage Connection

- Drain kit is supplied with oven as illustrated. Any modification or extension to the kit must be able to resist temperatures up to 100°C
- Plumb supplied waste pipes to the Tundish
- Tundish needs to be a minimum of 300mm from the outlet on the service side of the oven
- Tundish should never be located directly below the waste outlet, or close to or under the oven control compartment. Steam from drainage should not be allowed to rise up underneath the oven control compartment
- Waste pipe must sit 25mm above the Tundish
- Secure waste pipe to the Combi oven. Securing bracket is attached to top of the Combi oven. Remove screw, reposition bracket, then secure in place with previously removed screw



### 2.7 Liquid Detergent / Rinse Agent Connection

	<b>IMPORTANT</b>
	<p><b>Stoddart's preferred detergent method is Tablets.</b>  <b>Only Stoddart provided oven cleaners should be used.</b>  <b>Other products may lead to voidance of warranty!</b></p>

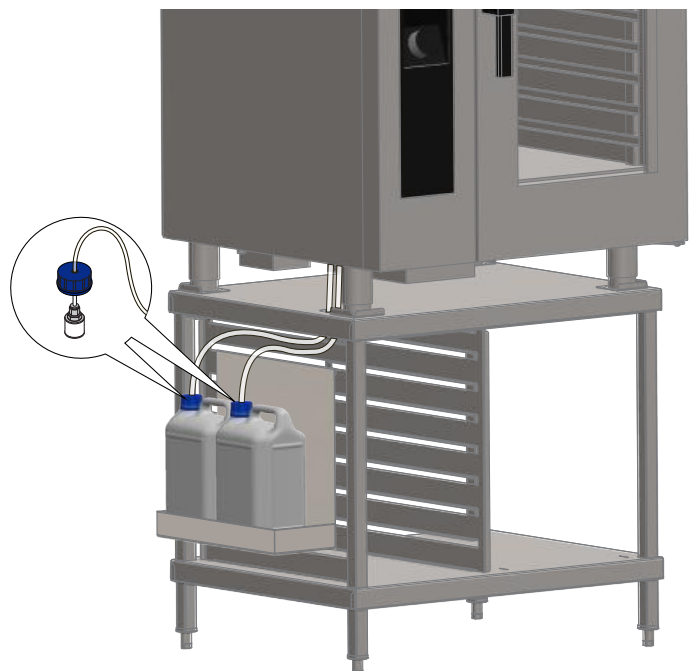
Detergent and Rinse Agent lines are located on the underside of the oven. When facing the oven:

- Detergent Line - Left hand side
- Rinse Aid Line - Right hand side

- When tablets are to be used, roll the detergent line up and use zip-ties to secure
- If using the optional Stoddart bottle holder, place the holder on the outside of the grid rack
- Remove the bottle caps from both descaler and detergent
- Drill a 8mm hole in the centre of each cap
- Feed the detergent and rinse agent lines through the hole in the stand, then through the bottle caps
- Attach the weights to each line
- Place both lines and weight back into the bottles and secure bottle caps (ensure to place correct line in the correct chemical)

**Note:** The Stoddart supplied rinse agent is also used as the descaler

**Note:** The Stoddart supplied rinse agent or vinegar can be used. Vinegar will not aid the cleaning process as well as the rinse agent.



## 2.8 Oven Testing

The oven should be tested by completing a cooking cycle to verify that the equipment works properly, without any anomalies or problems.

Turn on the oven (See page 28)

Set a cooking cycle with temperature to 150°C, time set to 10min and humidity to 25% (See “Manual Cooking” page 32).

Press “Start/Stop”.

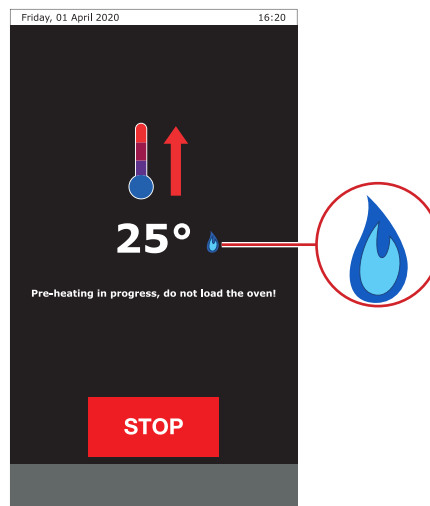
Carefully check the points given in the following list:

- Press the “LED Door Light” icon (See page 28), the LED door lights illuminate the oven chamber, press again to turn off
- The oven will stop if the door is opened and starts to work when the door is closed
- The thermostat that regulates the temperature in the cooking chamber is triggered when the set temperature is reached and the heating element is shut off temporarily
- The fan motor reverses the direction of rotation automatically; reversal takes place every 3minutes (time varies depending on the cooking time)
- For the ovens with two fans in the cooking chamber, the motors have the same direction of rotation
- At the end of the cooking cycle the oven emits an audible warning

### 2.8.1 Gas Oven Operation

Gas leakage and operation of the appliance must be tested by the installer before leaving. If the appliance fails to operate correctly after all checks have been carried out, Contact the Stoddart service department.

When the gas burner is operating the display screen will show a flame.



## 3.0 Specification

### 3.1 Technical Drawing

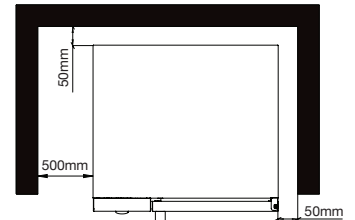
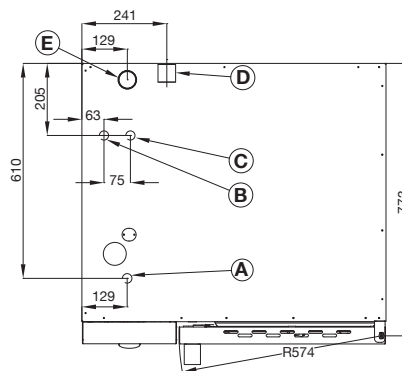
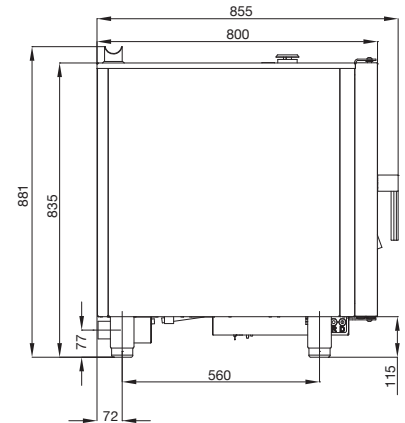
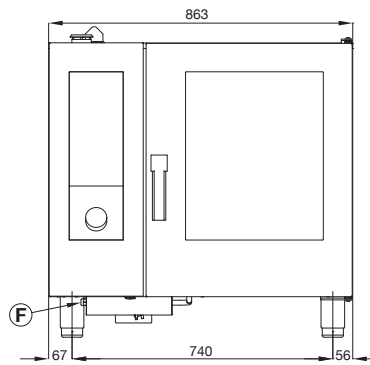
#### 3.1.1 SEHE061WT

##### Specifications

<b>Model</b>	<b>SEHE061WT</b>
<b>W x D x H (mm)</b>	863 x 855 x 881
<b>Weight</b>	132kg
<b>Capacity</b>	6 X 1/1GN
<b>Power</b>	12.4 kW 415V 3Ø + N + E (3 x 16A)
<b>Waste Connection</b>	50mm
<b>Cold Water Connection</b>	3/4 BSP 150-350 kpa Min 10°C Max 35°C

##### Legend

- A** Electrical connection
- B** Steam generation water inlet (3/4" BSP)
- C** Wash system water inlet (3/4" BSP)
- D** Drain connection
- E** Humidity vent
- F** Detergent and rinse aid inlet



\*Clearance requirements  
\*Drain line must be vented

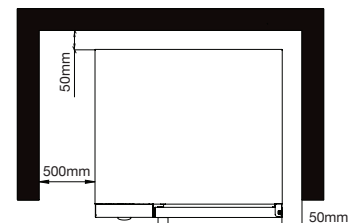
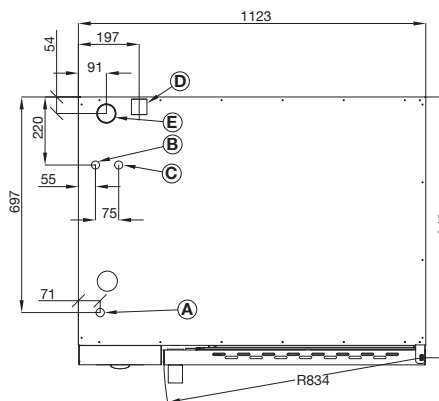
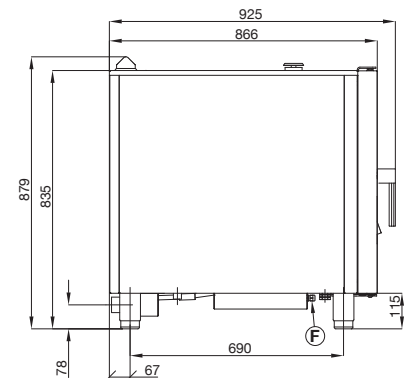
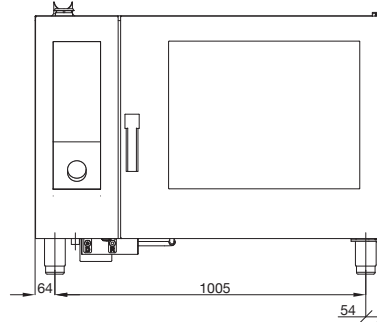
#### 3.1.2 SEHE062WT

##### Specifications

<b>Model</b>	<b>SEHE062WT</b>
<b>W x D x H (mm)</b>	1123 x 925 x 879
<b>Weight</b>	195kg
<b>Capacity</b>	6 X 2/1GN
<b>Power</b>	23.1 kW 415V 3Ø + N + E (3 x 33A)
<b>Waste Connection</b>	50mm
<b>Cold Water Connection</b>	3/4 BSP 150-350 kpa Min 10°C Max 35°C

##### Legend

- A** Electrical connection
- B** Steam generation water inlet (3/4" BSP)
- C** Wash system water inlet (3/4" BSP)
- D** Drain connection
- E** Humidity vent
- F** Detergent and rinse aid inlet



\*Clearance requirements  
\*Drain line must be vented

Due to continuous product research and development, the information contained herein is subject to change without notice.

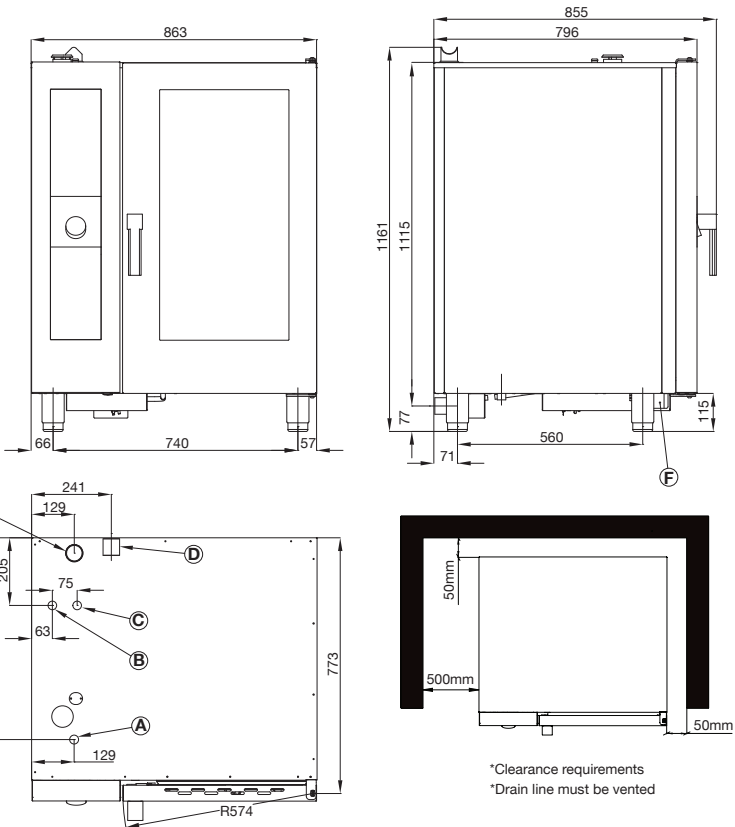
**3.1.3 SEHE101WT**

**Specifications**

<b>Model</b>	<b>SEHE101WT</b>
<b>W x D x H (mm)</b>	863 x 855 x 1161
<b>Weight</b>	168kg
<b>Capacity</b>	10 X 1/1GN
<b>Power</b>	18.2 kW 415V 3Ø + N + E (3 x 26A)
<b>Waste Connection</b>	50mm
<b>Cold Water Connection</b>	3/4 BSP 150-350 kpa Min 10°C Max 35°C

**Legend**

- A** Electrical connection
- B** Steam generation water inlet (3/4" BSP)
- C** Wash system water inlet (3/4" BSP)
- D** Drain connection
- E** Humidity vent
- F** Detergent and rinse aid inlet



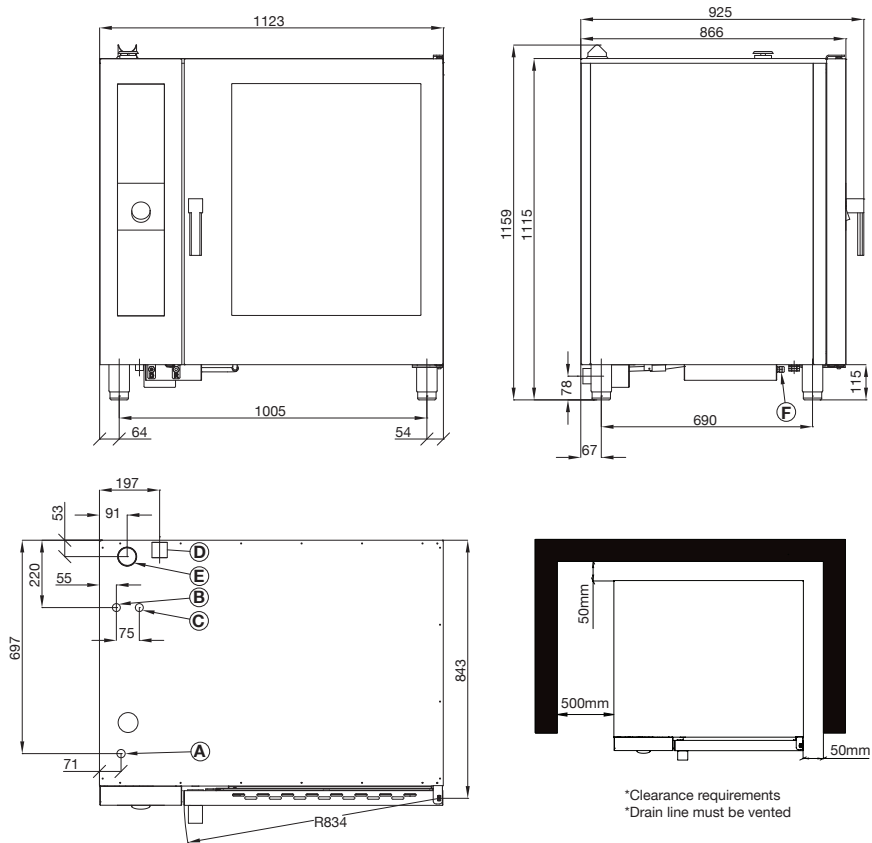
**3.1.4 SEHE102WT**

**Specifications**

<b>Model</b>	<b>SEHE102WT</b>
<b>W x D x H (mm)</b>	1123 x 925 x 1159
<b>Weight</b>	220kg
<b>Capacity</b>	10 X 2/1GN
<b>Power</b>	28.3 kW 415V 3Ø + N + E (3 x 40A)
<b>Waste Connection</b>	50mm
<b>Cold Water Connection</b>	3/4 BSP 150-350 kpa Min 10°C Max 35°C

**Legend**

- A** Electrical connection
- B** Steam generation water inlet (3/4" BSP)
- C** Wash system water inlet (3/4" BSP)
- D** Drain connection
- E** Humidity vent
- F** Detergent and rinse aid inlet





## 3.0 Specification

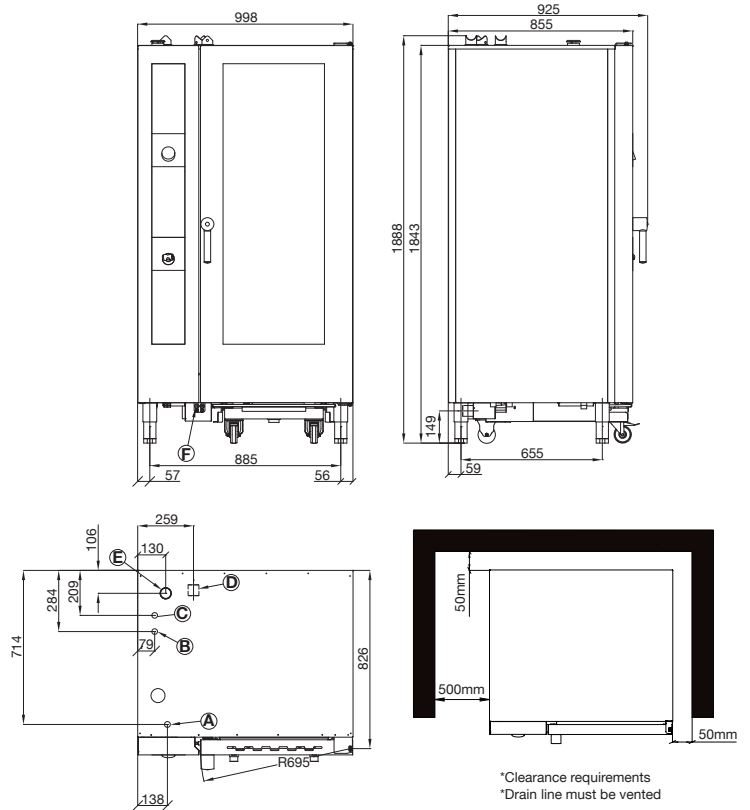
### 3.1.5 SEHE201WT

#### Specifications

<b>Model</b>	<b>SEHE201WT</b>
<b>W x D x H (mm)</b>	998 x 925 x 1888
<b>Weight</b>	290kg
<b>Capacity</b>	20 X 1/1GN
<b>Power</b>	36.7 kW 415V 3Ø + N + E (3 x 52A)
<b>Waste Connection</b>	50mm
<b>Cold Water Connection</b>	3/4 BSP 150-350 kpa Min 10°C Max 35°C

#### Legend

- A** Electrical connection
- B** Steam generation water inlet (3/4" BSP)
- C** Wash system water inlet (3/4" BSP)
- D** Drain connection
- E** Humidity vent
- F** Detergent and rinse aid inlet



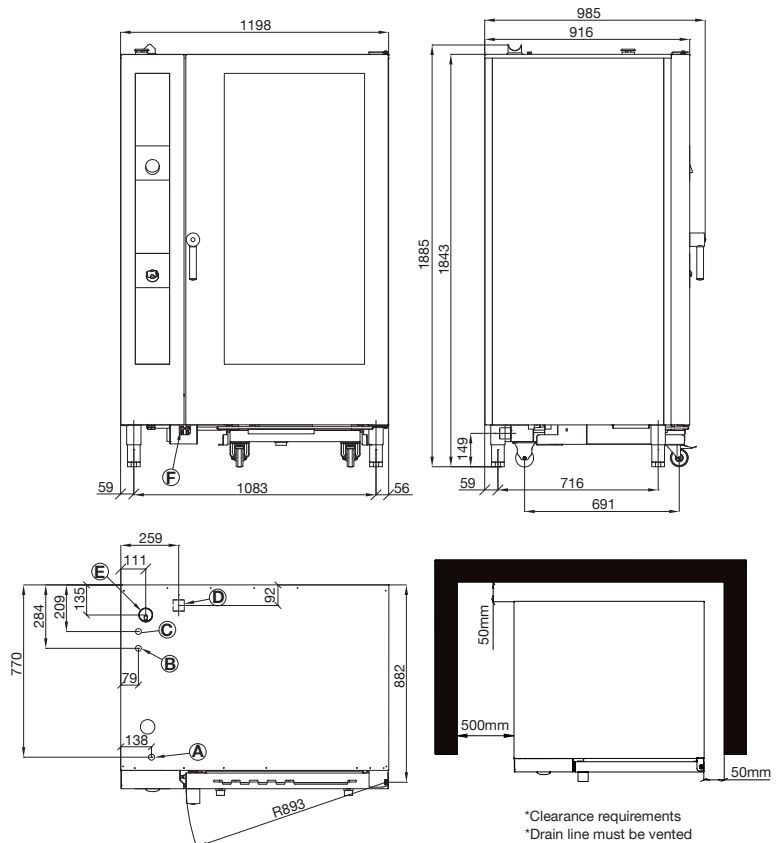
### 3.1.6 SEHE202WT

#### Specifications

<b>Model</b>	<b>SEHE202WT</b>
<b>W x D x H (mm)</b>	1198 x 985 x 1885
<b>Weight</b>	370kg
<b>Capacity</b>	20 X 2/1GN
<b>Power</b>	54.1 kW 415V 3Ø + N + E (3 x 76)
<b>Waste Connection</b>	50mm
<b>Cold Water Connection</b>	3/4 BSP 150-350 kpa Min 10°C Max 35°C

#### Legend

- A** Electrical connection
- B** Steam generation water inlet (3/4" BSP)
- C** Wash system water inlet (3/4" BSP)
- D** Drain connection
- E** Humidity vent
- F** Detergent and rinse aid inlet

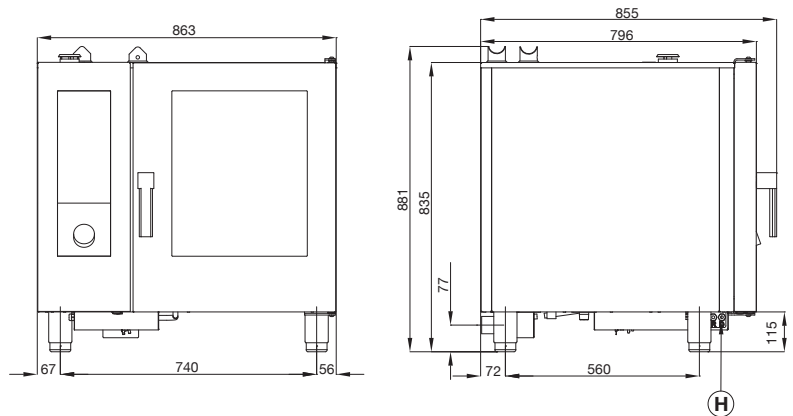


Due to continuous product research and development, the information contained herein is subject to change without notice.

**3.1.7 SEHG061WT**

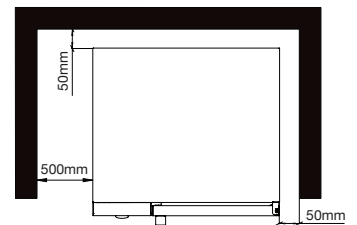
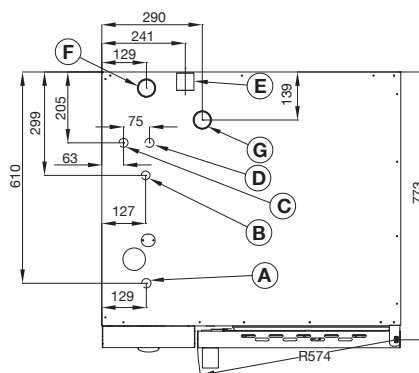
**Specifications**

<b>Model</b>	<b>SEHG061WT</b>
<b>W x D x H (mm)</b>	863 x 855 x 881
<b>Weight</b>	142kg
<b>Capacity</b>	6 X 1/1GN
<b>Gas</b>	3/4 BSP
<b>(Natural / Universal LPG)</b>	43.2MJ/Hr
<b>Power</b>	1.4 kW
	230V 10A plug & lead fitted
<b>Waste Connection</b>	50mm
<b>Cold Water Connection</b>	3/4 BSP
	150-350 kpa
	Min 10°C Max 35°C



**Legend**

- A** Electrical connection
- B** Gas inlet (3/4" BSP)
- C** Steam generation water inlet (3/4" BSP)
- D** Wash system water inlet (3/4" BSP)
- E** Drain connection
- F** Humidity vent
- G** Gas emission exhaust
- H** Detergent and rinse aid inlet



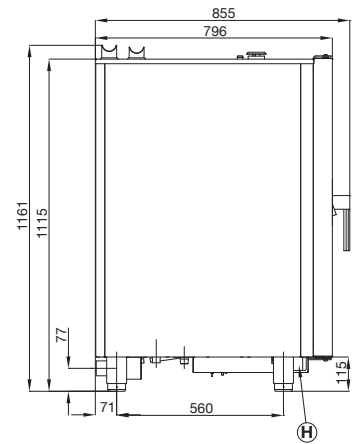
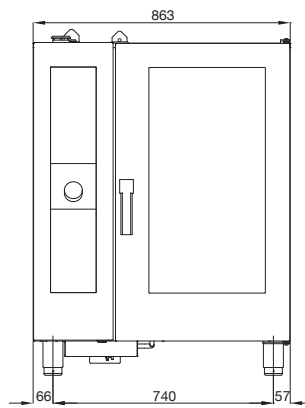
\*Clearance requirements  
\*Drain line must be vented

## 3.0 Specification

### 3.1.8 SEHG101WT

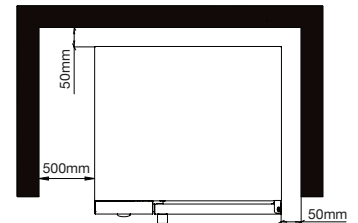
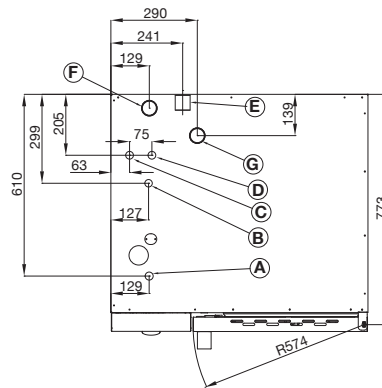
#### Specifications

<b>Model</b>	<b>SEHG101WT</b>
<b>W x D x H (mm)</b>	863 x 855 x 1161
<b>Weight</b>	178kg
<b>Capacity</b>	10 X 1/1GN
<b>Gas</b>	3/4 BSP
<b>(Natural / Universal LPG)</b>	68.4MJ/Hr
<b>Power</b>	1.5 kW
	230V 10A plug & lead fitted
<b>Waste Connection</b>	50mm
<b>Cold Water Connection</b>	3/4 BSP
	150-350 kpa
	Min 10°C Max 35°C



#### Legend

- A** Electrical connection
- B** Gas inlet (3/4" BSP)
- C** Steam generation water inlet (3/4" BSP)
- D** Wash system water inlet (3/4" BSP)
- E** Drain connection
- F** Humidity vent
- G** Gas emission exhaust
- H** Detergent and rinse aid inlet

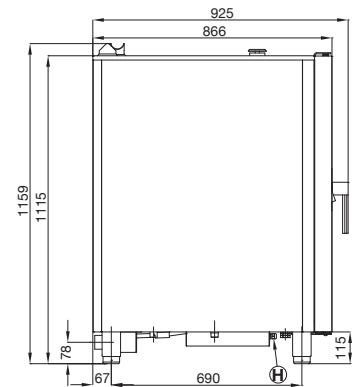
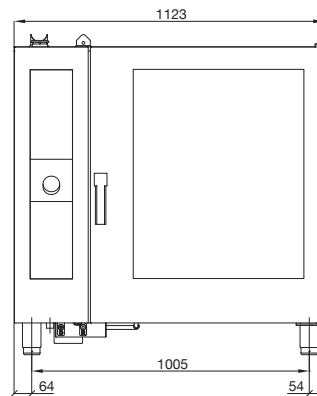


\*Clearance requirements  
\*Drain line must be vented

### 3.1.9 SEHG102WT

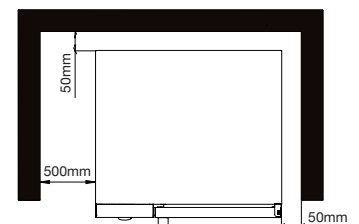
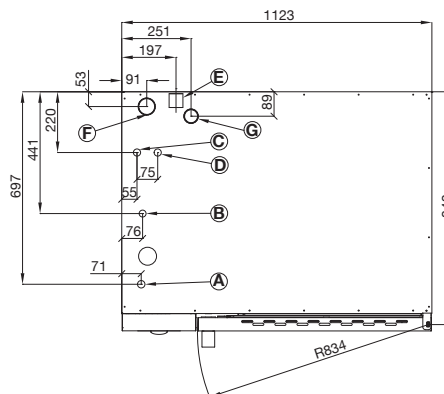
#### Specifications

<b>Model</b>	<b>SEHG102WT</b>
<b>W x D x H (mm)</b>	1123 x 925 x 1159
<b>Weight</b>	250kg
<b>Capacity</b>	10 X 2/1GN
<b>Gas</b>	3/4 BSP
<b>(Natural / Universal LPG)</b>	72MJ/Hr
<b>Power</b>	3.3 kW
	230V 15A plug & lead fitted
<b>Waste Connection</b>	50mm
<b>Cold Water Connection</b>	3/4 BSP
	150-350 kpa
	Min 10°C Max 35°C



#### Legend

- A** Electrical connection
- B** Gas inlet (3/4" BSP)
- C** Steam generation water inlet (3/4" BSP)
- D** Wash system water inlet (3/4" BSP)
- E** Drain connection
- F** Humidity vent
- G** Gas emission exhaust
- H** Detergent and rinse aid inlet



\*Clearance requirements  
\*Drain line must be vented

Due to continuous product research and development, the information contained herein is subject to change without notice.

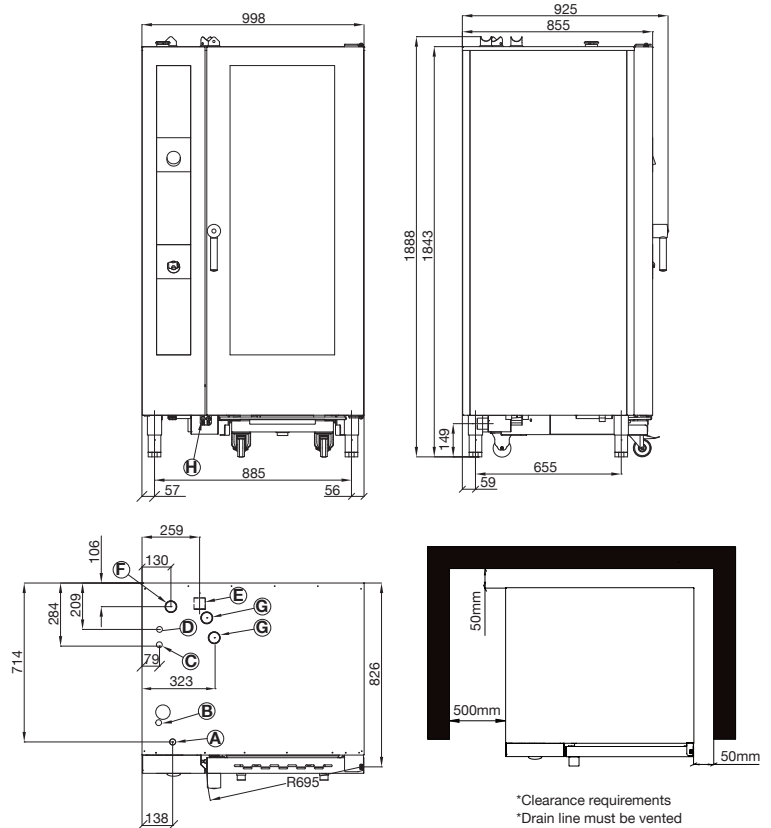
**3.1.10 SEHG201WT**

**Specifications**

<b>Model</b>	<b>SEHG201WT</b>
<b>W x D x H (mm)</b>	998 x 925 x 1888
<b>Weight</b>	300kg
<b>Capacity</b>	20 X 1/1GN
<b>Gas</b>	3/4 BSP
<b>(Natural / Universal LPG)</b>	136.8MJ/Hr
<b>Power</b>	3.3 kW
	230V 15A plug & lead fitted
<b>Waste Connection</b>	50mm
<b>Cold Water Connection</b>	3/4 BSP
	150-350 kpa
	Min 10°C Max 35°C

**Legend**

- A** Electrical connection
- B** Gas inlet (3/4" BSP)
- C** Steam generation water inlet (3/4" BSP)
- D** Wash system water inlet (3/4" BSP)
- E** Drain connection
- F** Humidity vent
- G** Gas emission exhaust
- H** Detergent and rinse aid inlet



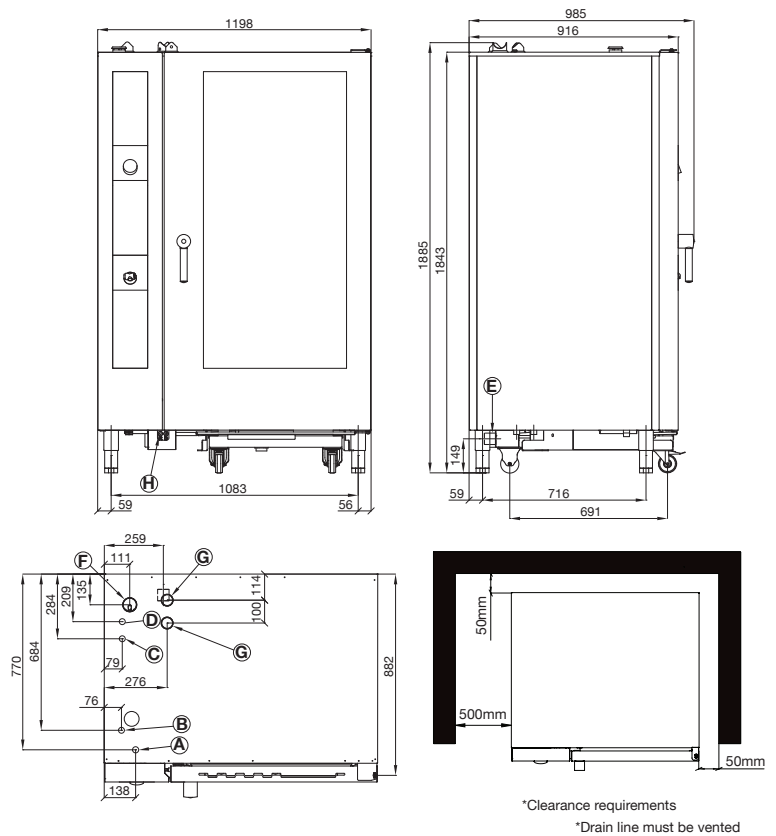
**3.1.11 SEHG202WT**

**Specifications**

<b>Model</b>	<b>SEHG202WT</b>
<b>W x D x H (mm)</b>	1198 x 985 x 1885
<b>Weight</b>	400kg
<b>Capacity</b>	20 X 2/1GN
<b>Gas</b>	3/4 BSP
<b>(Natural / Universal LPG)</b>	201.6MJ/Hr
<b>Power</b>	4.1 kW
	230V 20A plug & lead fitted
<b>Waste Connection</b>	50mm
<b>Cold Water Connection</b>	3/4 BSP
	150-350 kpa
	Min 10°C Max 35°C

**Legend**

- A** Electrical connection
- B** Gas inlet (3/4" BSP)
- C** Steam generation water inlet (3/4" BSP)
- D** Wash system water inlet (3/4" BSP)
- E** Drain connection
- F** Humidity vent
- G** Gas emission exhaust
- H** Detergent and rinse aid inlet



### 4.1 General Overview

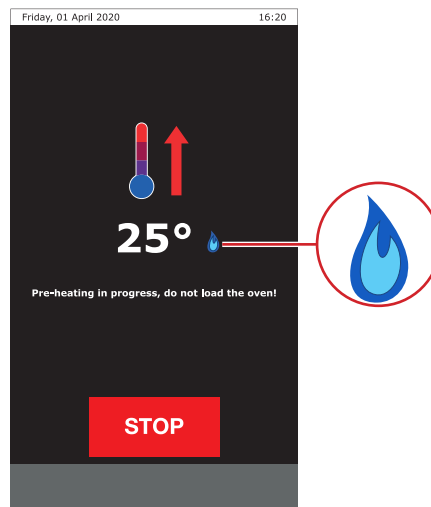
#### 4.1.1 Control Interface

- A. Start-up and Shut-down:
  - Press the right side of the switch to turn the oven on
  - Press the left side of the switch to turn the oven off
- B. Touch Screen: The operating parameters of the appliance are set and displayed on this screen
- C. Navigation Dial: The dial is used to set the values on the screen. If the dial is pressed, the value entered is confirmed
- D. Manual Cooking: Recipe settings are entered manually
- E. Recipe Book: Default and saved recipes
- F. Chamber Light: Turns the oven chamber light on/off
- G. Settings: View/change oven settings



#### 4.1.2 Gas Burner (Gas Models Only)

When the gas burner is operating the display screen will show a flame.



**4.1.3 No Gas Alarm - Reset (Gas Models Only)**

After three failed attempts to ignite the burner, an alarm screen appears on the display. When the screen appears, push the navigation dial for one second to reset the oven. After the reset, the appliance will make three more ignition attempts; if still no gas is detected, the alarm screen will reappear.







In this case, check that the gas shut-off valve upstream of the oven is open and active.

If these attempts are unsuccessful, contact the Stoddart Service department.

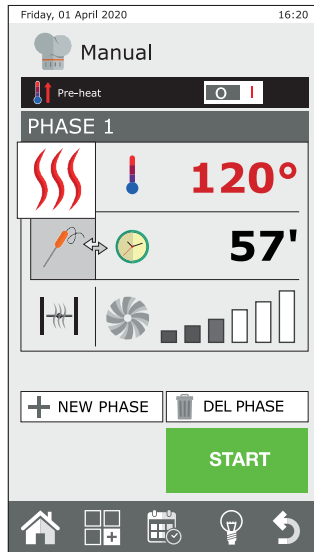



**4.1.4 Cooking Methods**

To cook varying types of food to perfection, a sequence of different cooking methods should be used.


Cooking Method	Temperature Range	Humidity Input	Humidity Extraction	Uses
 <p><b>Convection Cooking:</b> Convection cooking uses the dry heat of the heating elements that the fans spread at a variable speed to ensure quick and even cooking.</p>	30°C to 300°C	Manual input: By pressing and holding the humidity icon during the cooking cycle 	Manual	Dry confectionery cooking Frozen food cooking External browning of foods Food grilling
 <p><b>Combi Cooking:</b> Food is cooked with a humidity percentage set by the user. Ventilation inside the cooking chamber ensures quick and even cooking.</p>	30°C to 270°C	Input: 0% to 100%	Automatic	Cooking of the dishes that must remain soft inside (e.g. Poultry) Leavening
 <p><b>Steam Cooking:</b> Food is cooked using steam, which is evenly spread by the fans at a variable speed.</p>	30°C to 120°C	100% fixed humidity (Cannot be adjusted)	Flue vent always closed	Vacuum cooking (sous-vide) Cooking of delicate dishes Cooking of creams and sauces Pasteurisation Regeneration Leavening
 <p><b>Smoking</b> It allows the user to set a type of cooking suitable for using a smoking device (optional, contact the Stoddart sales department).</p>	10°C to 200°C	No Input (Humidity cannot be added)	Manual	Meat cooking
 <p><b>Keep Warm:</b> Keeps the temperature of the cooked food constant for a set or indefinite time</p>	30°C to 120°C	Input: 0% to 100%	Automatic	Keeping cooked food warm

## 4.1.5 Cooking Screen Icons:




-  Home:
  - Return to home screen


---

-  Settings menu:
  - Save or modify a recipe
  - Select and start a wash cycle
  - Cool off the chamber;
  - Access settings (e.g. language, time, etc.)


---

-  Delayed start:
  - Set a delayed start

---

-  Chamber Light:
  - Switch the light in the chamber on/off

---

-  Return:
  - Return to the previous screen

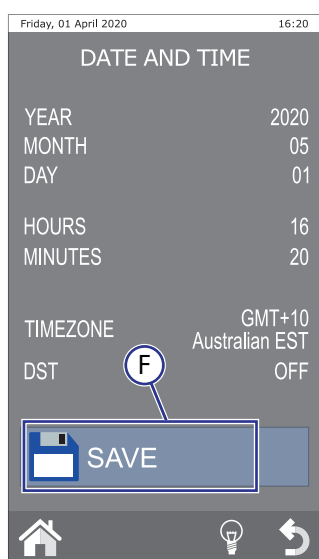
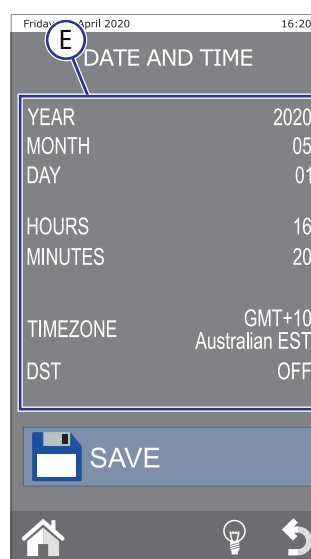
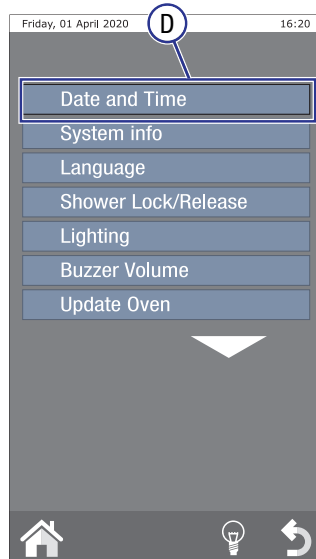
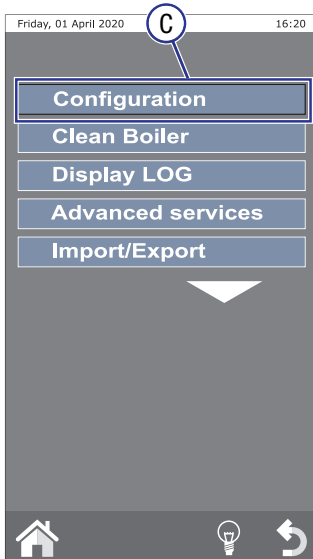
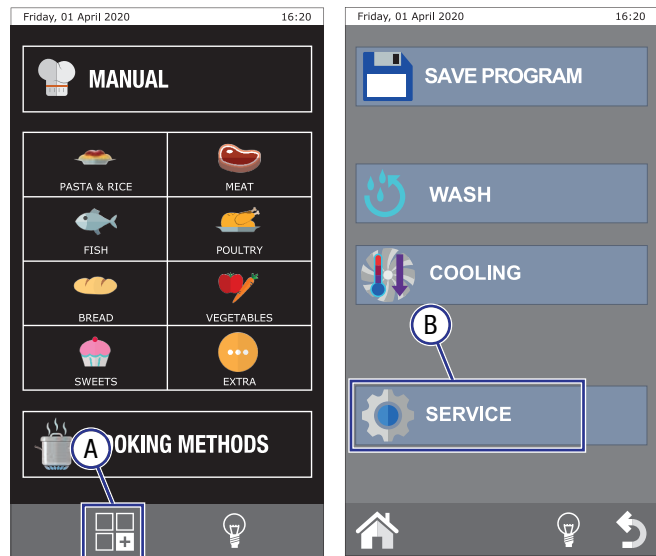
	Cooking mode: convection		Humidity discharge valve: closed
	Cooking mode: mixed		Humidity discharge valve: open
	Cooking mode: steamed		Relative humidity percentage
	Mode: maintenance		SteamTuner adjusting (steam hydration)
	Automatic cooling. Present only from phase 2.		Unlock button: allows user to change a program
	Mode: message		Indicator of programme changed by the user, or new programme
	Mode: smoking		During cooking allows user to verify the SET of the programme
	Time / timer		Manual humidifier button
	Mode with core probe		
	Delta-T mode		

## 4.2 Setup - Configuration Menu

### 4.2.1 Date and Time / Language

Before commencing cooking, the initial setup needs to be entered, such as Time/Date and Language.

- A. Press "Settings"
- B. Press "Service"
- C. Press "Configuration"
- D. Select "Date and Time" from the configuration menu
- E. Select and adjust each of the parameters accordingly
- F. Press "SAVE" to confirm the settings



### 4.2.2 System Info

This function allows the display of the software version installed in the oven, the serial number of the oven and the number of hours passed since the last time the boiler was cleaned.

### 4.2.3 Shower Block/Unblock

This function allows the solenoid valve that takes water to the retractable shower, integrated into the oven, to be open and closed.

Select from the following options:

- Shower always usable
- Shower active with door open
- Shower always blocked



### 4.3 Manual Cooking

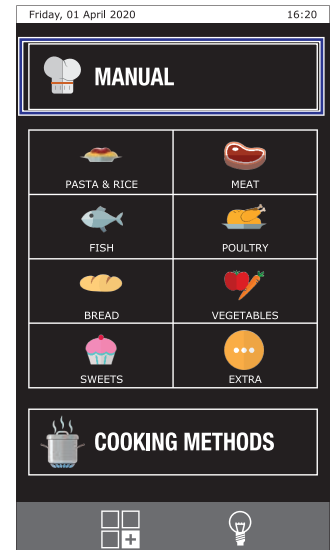
#### 4.3.1 Initial Settings

It is possible and easy to create customised cooking programs that can have up to 9 different phases plus pre-heating. Every cooking phase is represented by a cooking mode (convection, mixed, steam, etc.) with specific time, humidity, ventilation parameters, etc. For example: for a roast dish, a program can be created that contains a browning phase, a cooking phase and a hold phase.

Set the cooking parameters for one or more cooking phases. Once these settings are saved, a recipe can be started without saving (the entered parameters are not saved) or start a recipe after saving it (for future use).

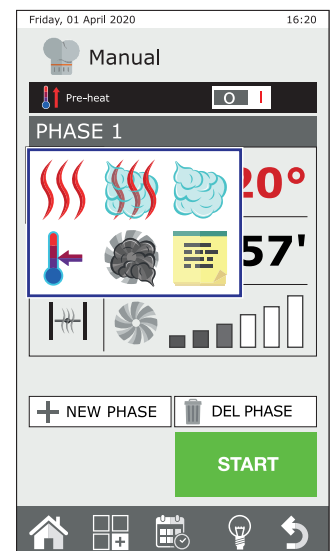
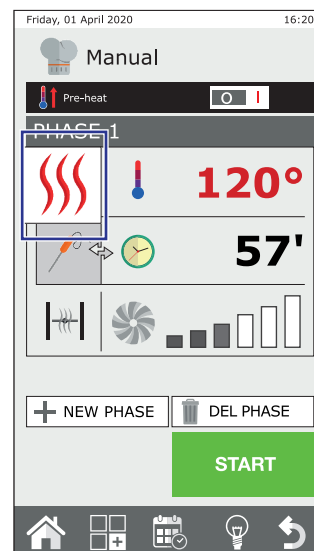
Manual cooking cycles require the following actions:

- Setting a manual pre-heating function (optional)
- PHASE 1 parameter settings
- Selecting the cooking method: convection / steam / combi
- Setting the temperature in the chamber
- Setting the duration of the cooking cycle (by setting the time or using a core probe)
- Setting fan speed
- Humidity input/extraction (depending on the cooking cycle chosen)
- Setting additional cooking phases (optional)
- Saving the recipe (optional)
- Starting a recipe



#### 4.3.2 Selecting The Cooking Method

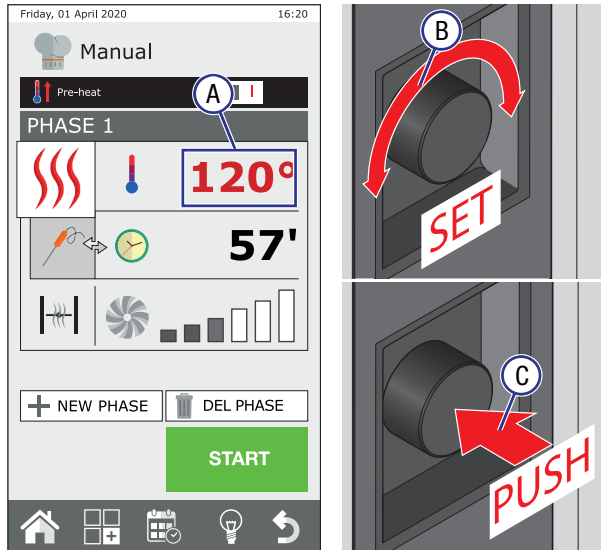
Select the cooking method required, by touching the relative icon (convection cooking mode in the example).



### 4.3.3 Selecting The Temperature

Choosing the correct cooking temperature is essential to achieve optimal results. To set the temperature:

- A. Touch the “temperature” field
- B. Turn the navigation dial to select the desired temperature
- C. Press the navigation dial to save the set value

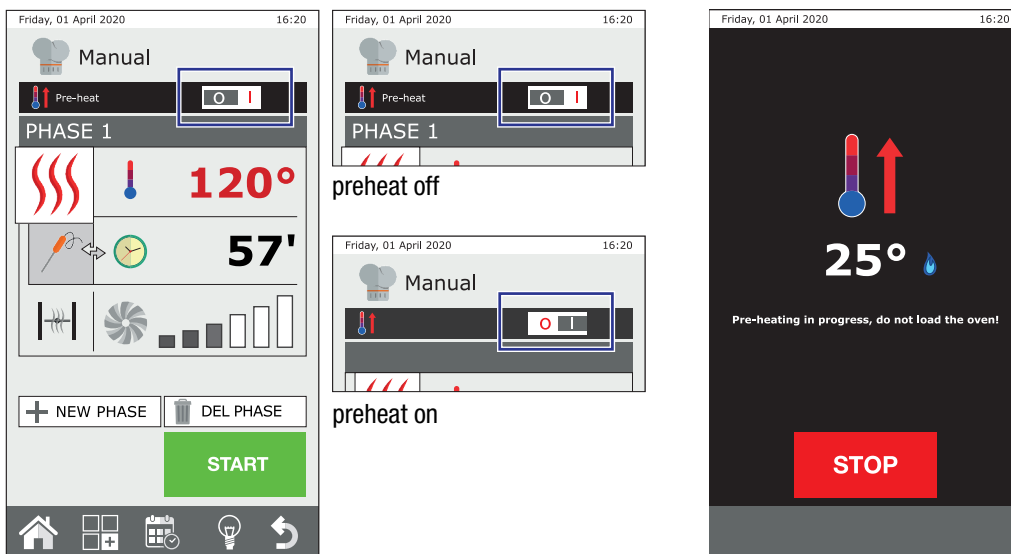


### 4.3.4 Setting Preheating

The preheating function is recommended for achieving optimal cooking results. This function can be toggled on or off by moving the 0/I cursor to the top right. Cursor on:

- “0”: Phase 1 starts immediately skipping the preheating stage.
- “I”: Preheating is enabled. The oven manages the temperature automatically based on the user set temperature for the phase.

As soon as this temperature is reached, the oven emits an audible beeping and a window opens to indicate that the oven is ready to load. When the door is closed, phase 1 automatically starts.



This screen displays the current temperature in the chamber (which will increase gradually) and warns that preheating is in progress. The oven requires the set temperature to be reached before introducing food into it. If necessary, the value can be changed by touching it and turning and pressing the navigation dial to the right.

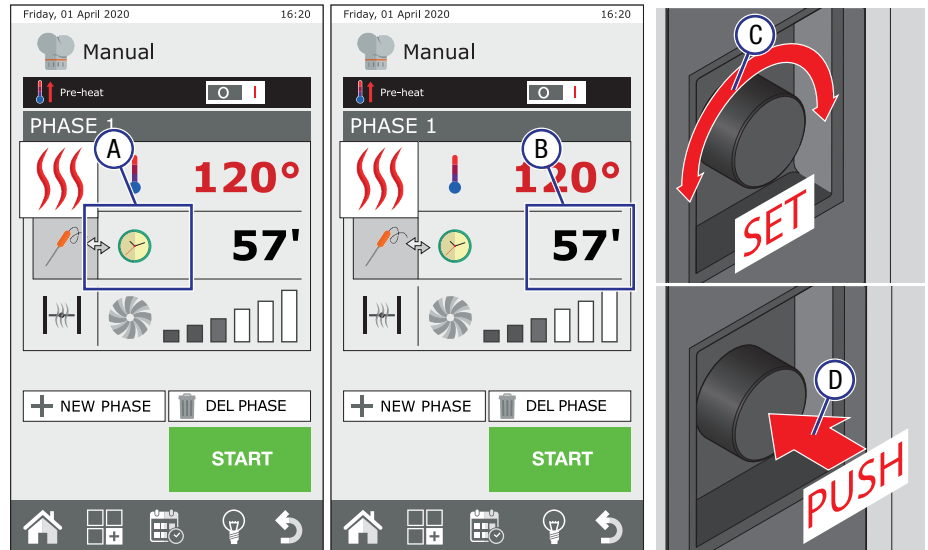
### 4.3.5 Time Setting:



- Time setting:  
The cooking cycle stops automatically when the set time expires (range: from 1 minute to 40 hours)

To set the time duration:

- Select "Time"
- Touch the value field to set the cooking time
- Turn the navigation dial to adjust the temperature value
- Press the navigation dial to save the set value



**Note:** For the oven to run continuously, touch the time field and turn the navigation dial to the left until the display shows INF.

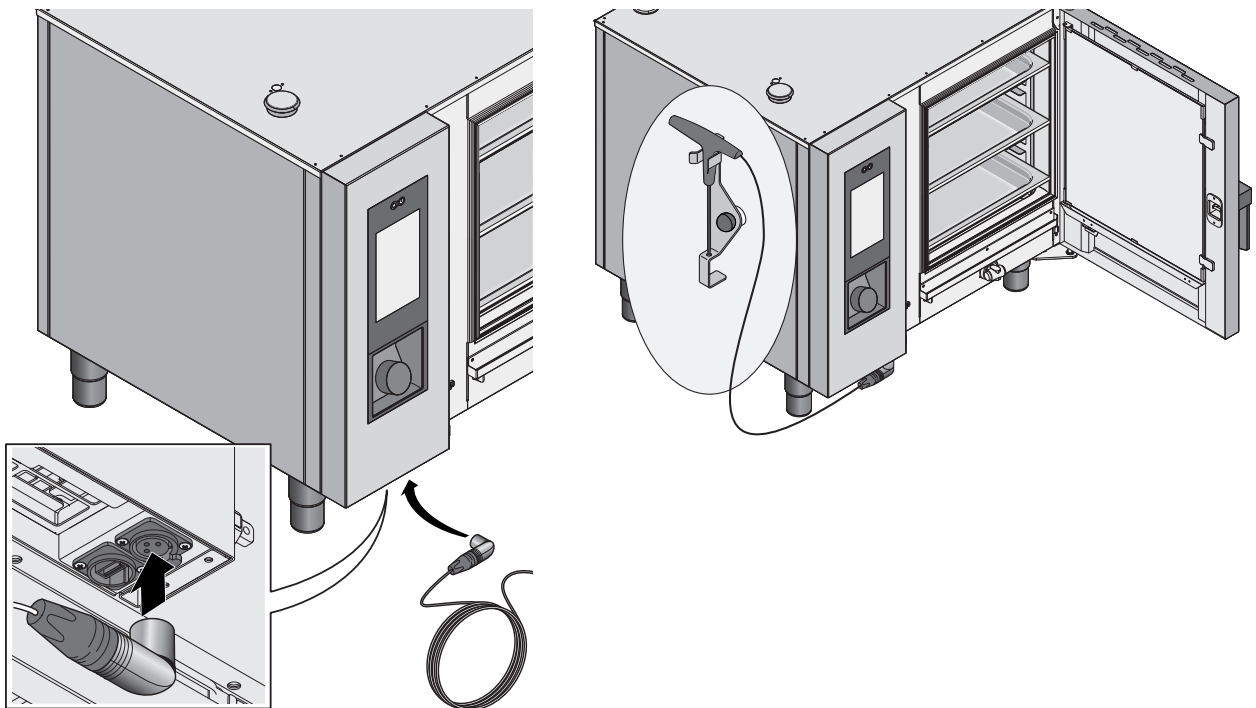
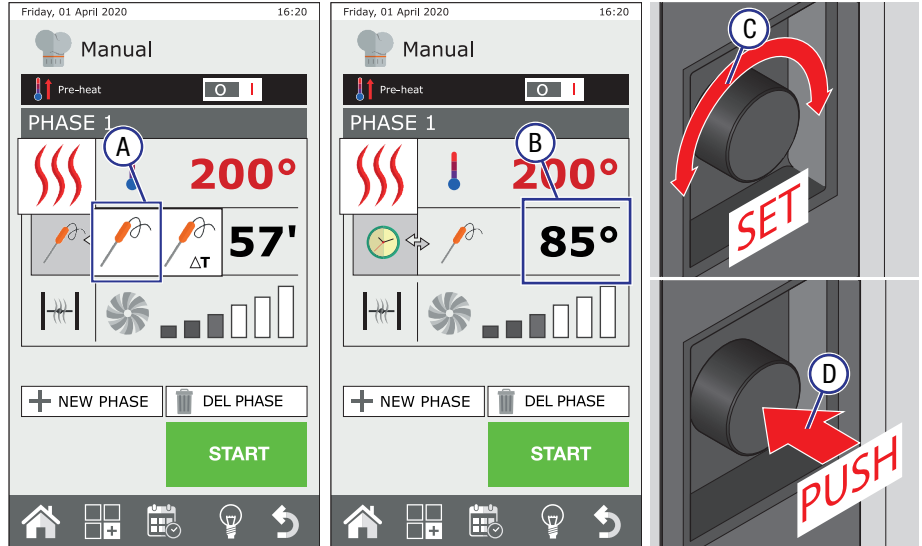
**4.3.6 Core Probe:**



- Core probe: the cooking cycle stops automatically when the temperature measured by the probe inside the food reaches the set value. The core probe connection is on the underside of the control panel

To set the Core Probe temperature:

- Select Core probe
- Touch the value field to set the core probe temperature
- Turn the navigation dial to adjust the temperature value
- Press the navigation dial to save the set value



**Note:** When not in use, place the probe back into the magnetic support on the left side of the oven.

At the end of the cooking cycle, take care to remove the probe from the core before taking the tray out of the oven. The core probe is very sharp and it reaches high temperatures after cooking, do not pull the probe by the connection wire to remove it.

Do not insert the hot probe in frozen food to prevent thermal shock to the probe, which can cause the probe to become damaged.

### 4.3.7 Delta T( $\Delta t$ ):



- Delta T( $\Delta t$ ):  
During the cooking cycle, the oven increases or decreases the cooking chamber's temperature automatically to keep the Delta T ( $\Delta t$ ) value constant (e.g. 30°C). These cooking cycles are perfect for cooking meat slowly and at low temperatures to keep it soft and tender without losing excessive weight.  
Delta T ( $\Delta t$ ) = Temperature in the chamber - (minus) Probe core temperature

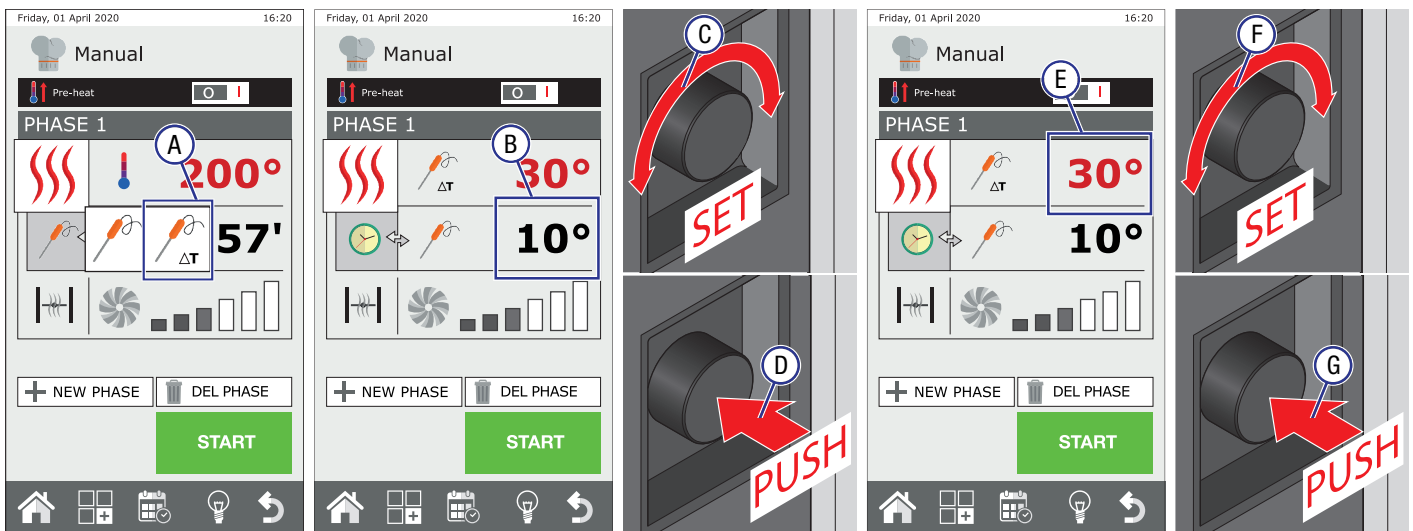
The Delta T( $\Delta t$ ) function is used mainly for slow, low temperature cooking.

In Delta T( $\Delta t$ ) mode, the product core temperature is set and the chamber temperature is set between 15°C - 30°C higher. As the core temperature rises, the temperature in the chamber will increase maintaining the set difference.

**Note:** A probe must be used for the Delta T( $\Delta t$ ) function.

To set the Delta T:

- Select Core probe then press the Delta T icon
- Touch the value field to set the core probe temperature
- Turn the navigation dial to adjust the temperature value
- Press the navigation dial to save the set value
- Touch the value field to set the chamber temperature (between 15°C - 30°C higher than the core probe)
- Turn the navigation dial to adjust the temperature value
- Press the navigation dial to save the set value



**Note:** When not in use, place the probe back into the magnetic support on the left side of the oven.

At the end of the cooking cycle, take care to remove the probe from the core before taking the tray out of the oven. The core probe is very sharp and it reaches high temperatures after cooking, do not pull the probe by the connection wire to remove it.

Do not insert the hot probe in frozen food to prevent thermal shock to the probe, which can cause the probe to become damaged.

Dishes	Recommended Core Temperature
Beef tenderloin	53-58°C
Beef (ribs, entrecote, steaks)	from 50 °C to 55 °C: rare from 55 °C to 65 °C: medium from 66 °C to 70 °C: well done
Pork fillet	58-64°C
Roast veal	72-75°C

Dishes	Recommended Core Temperature
Porchetta (pork roast)	68-75°C
Lamb sirloin	58-65°C
Chicken - turkey (whole)	85-87°C
Salmon (fillets)	58-65°C
Shin of pork/ribs	80-85°C

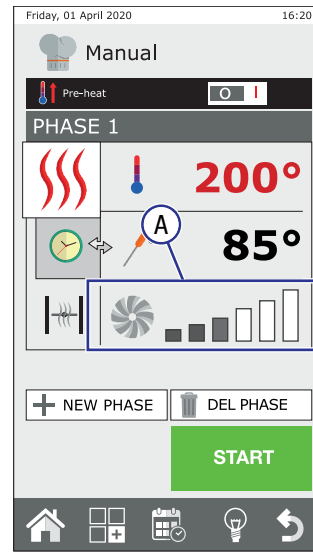
### 4.3.8 Fan Rotation Speed

The fan rotation speed parameter can be adjusted when using “Convection” and “Combi” modes.

To set the fan speed:

- A. Touch the fan field;
- B. Turn the navigation dial to adjust the temperature value
- C. Press the navigation dial to save the set value

**Note:** For best cooking results, the fans reverse the rotation direction periodically. The oven manages this phase based on the cooking time set without the need for setting anything else.





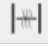

### 4.3.9 Manual Adjustment of Vent

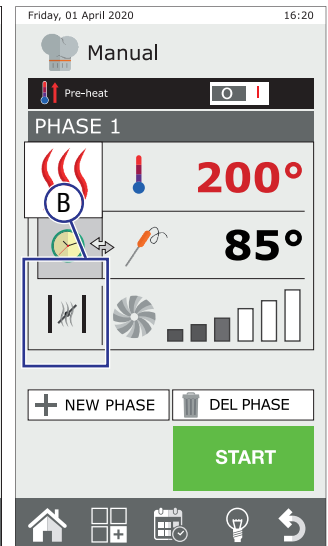
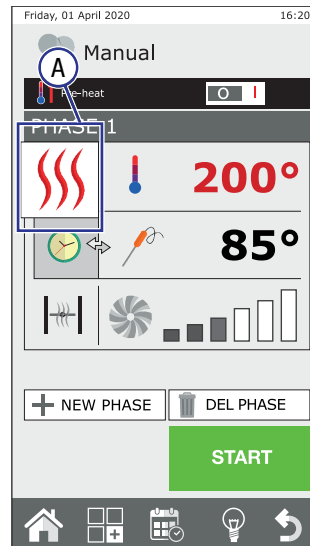
Only when using convection cooking, is it possible to choose for the flue to be opened or closed.

The vent has the task of maintaining or expelling moisture from the oven. When the vent is open, the higher the fan speed, the greater the evacuation of moisture from the oven chamber.

To open or close vent:

- A. Touch the extraction field
- B. Turn the navigation dial to adjust the temperature value
- C. Press the navigation dial to save the set value

Type of cooking	Humidity input	Humidity extraction
Convection 	manual input, press: 	closed flue  open flue 





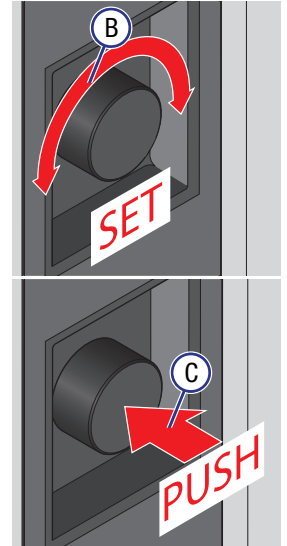
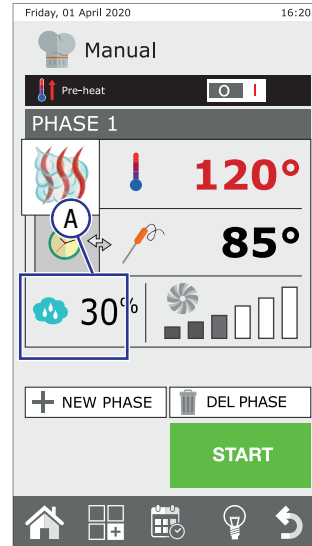
### 4.3.10 Setting Moisture Percentage for Combi Mode

Only in “Combi” mode can the percentage of humidity for the oven to maintain during cooking can be set. With the patented Meteo System (humidity control), the relative humidity in the cooking chamber is measured, humidity is added or removed, to maintain the settings programmed by the operator.

To set moisture percentage:

- Touch the Humidity field
- Turn the navigation dial to adjust the percentage value
- Press the navigation dial to save the set value

Type of cooking	Humidity input	Humidity extraction
Combi 	 <b>0%</b> adjustable from 0% to 100%	the oven opens and closes the flue vent automatically





### 4.3.11 Steam Tuner Function

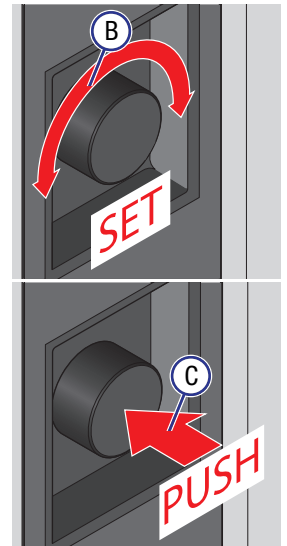
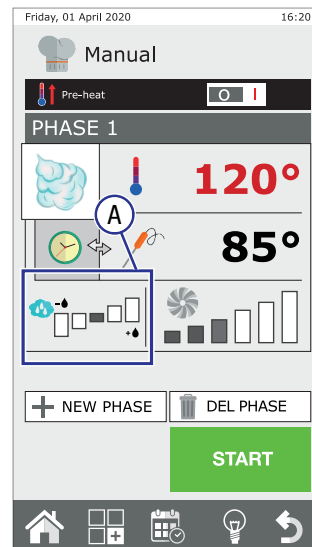
The level of hydration of the steam can be set in “Steam” mode using the patented SteamTuner control. The setting must be made according to the product being cooked and the result you wish to obtain.

To set the amount of hydration of the steam, press humidity field and set the value. If the default value is not set, it is “normal”.

To adjust level of hydration:






- Touch the Hydration field
- Turn the navigation dial to adjust the percentage value
- Press the navigation dial to save the set value

Type of cooking	Humidity input	Humidity extraction
Steam 	 flue vent always closed	flue vent always closed



**Cooking recommendations: hydration of the steam**

Thanks to the patented control for the hydration of the steam, SteamTuner can modify the quality of the steam, from very dry to very wet, according to the product to be cooked. The dry steam is generally used for delicate products, while the wet steam is preferably used for products that have hard fibres and are therefore more difficult to cook.

	VERY DRY	120°C	Pastry such as: steamed sponge cake, muffins, crème caramel
	DRY	75°C	Fish and shellfish in general
	STANDARD	80°C	Steamed chicken meat
	MOIST	95°C	Red meat and boiled meats in general
	VERY MOIST	115°C	Vegetables whole and in pieces, pasta and rice

**4.3.12 Holding Phase**

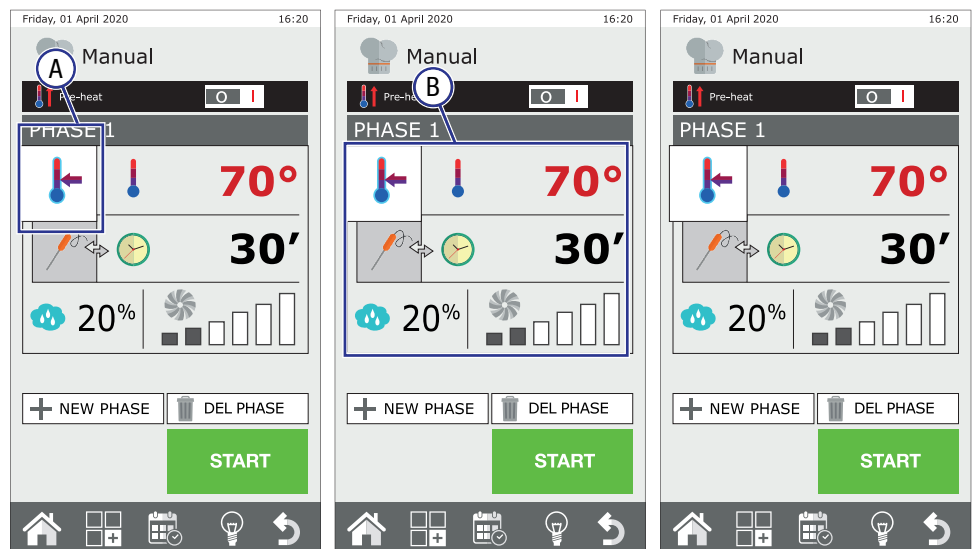
The holding phase is usually the last phase to be set, with the purpose of maintaining the products at or above 65°C (food safe temperature) without cooking the product.

The holding phase, by default has the humidity set at 20% and the fan speed set at 1.

For effective holding, it is recommended not to adjust the fan speed. When holding roasted products, a humidity setting of 20% - 35% is recommended, in the case of brazing or stewing, a humidity setting of 90% - 100% is recommended.

To set a holding phase:

- A. Select the cooking method “Holding”
- B. Set the parameters (temp, time, fan speed etc.)
- C. Load product into the oven, press “Start” (press “+ NEW PHASE” if extra phases is required)





### 4.3.13 Setting Multiple Cooking Phases (optional)

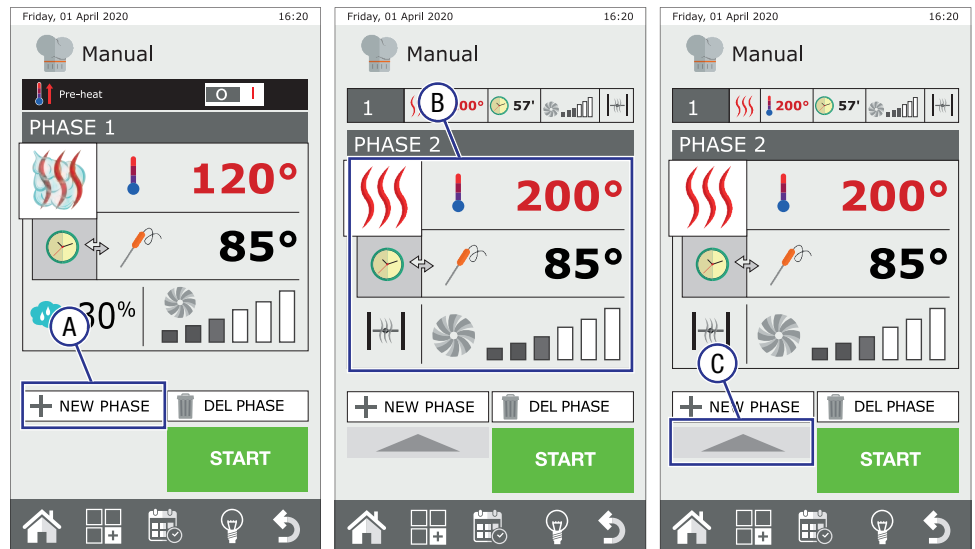
After setting all phase 1 parameters additional cooking phases can be set if required.

Up to 9 cooking phases can be programmed, (each cooking phase can be used for different cooking methods and parameters).

To set additional phases:

- Touch the field “+ NEW PHASE”
- Set the new phase cooking type. Enter all required parameters (as shown in previous pages)
- Each phase can be adjusted if required. Use the arrow key to scroll through the phase. Touch any of the set phases to adjust the parameter fields

**Note:** If phase one of the phases is set to INF (the oven runs continuously), extra phases cannot be added after that phase.



### 4.3.14 Cooling Phase

The temperature inside the oven chamber can be cooled between phases.

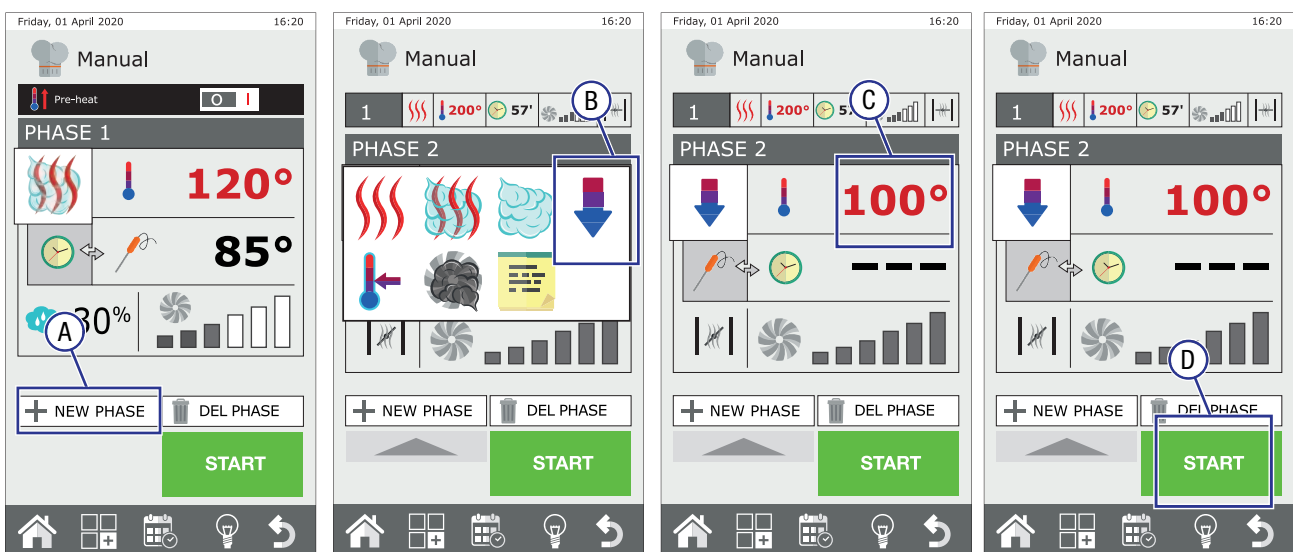
The cooling phase can only be set from phase 2 onwards.

In order to make cooling as fast as possible, do not modify the ventilation and humidity discharge valve values unless indispensable.

To set a holding phase:

- Touch the field “+ NEW PHASE”
- Select the cooking method “Cooling”
- By default the temperature is set to 100°C (the adjustable temperature range is 100°C to 300°C)
- Load product into the oven, press “Start” (press “+ NEW PHASE” if extra phases is required)

**Note:** For the cooling phase to perform efficiently, do not close the ventilation valve unless necessary.



### 4.3.15 Smoking Phase

The “Smoker” is a separate unit, this is required when using a smoking phase.

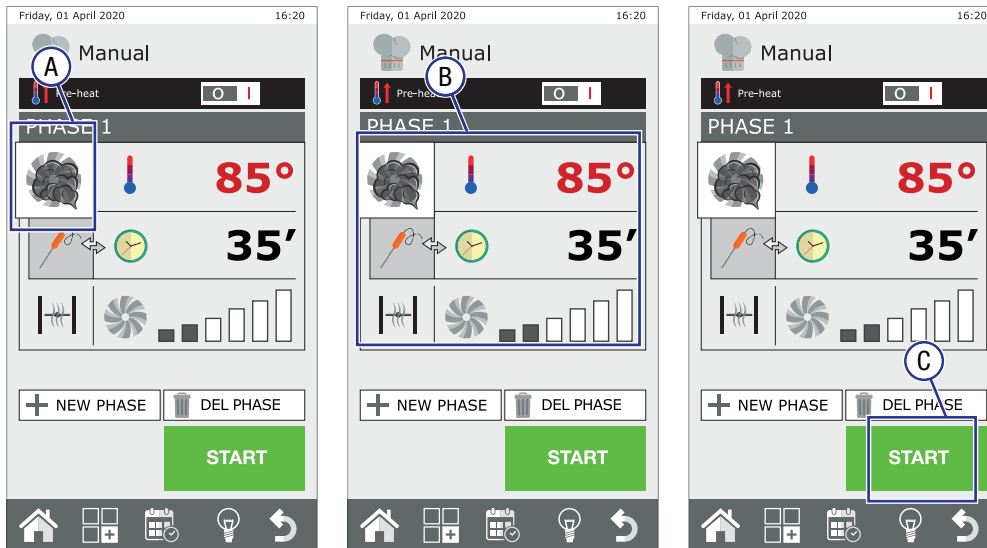
The smoker unit is placed into the oven on one of the trays (before the smoking phase begins).

If a cooking phase is to follow the smoking phase, the smoker unit must be removed from the oven (refer to the Smoker manual for further information regarding the connection and use of the smoker).

To set a holding phase:

- A. Select the cooking method “Smoking”
- B. Set the parameters (temp, time, fan speed etc.)
- C. Load product into the oven, press “Start” (press “+ NEW PHASE” if another phase is required)
- D. Before the program starts, the oven will display a message for the smoker unit to be introduced before the smoking phase begins. At the end of the smoking phases, the oven displays a message for the removal of the smoker unit. Both these messages must be confirmed by the operator. Only after confirmation will the oven begin the next phase (if programmed)

**Note:** The temperature, time, ventilation and humidity discharge valve can be adjusted during smoking. It is recommended to keep the humidity discharge valve closed so that smoke does not escape from the chamber.

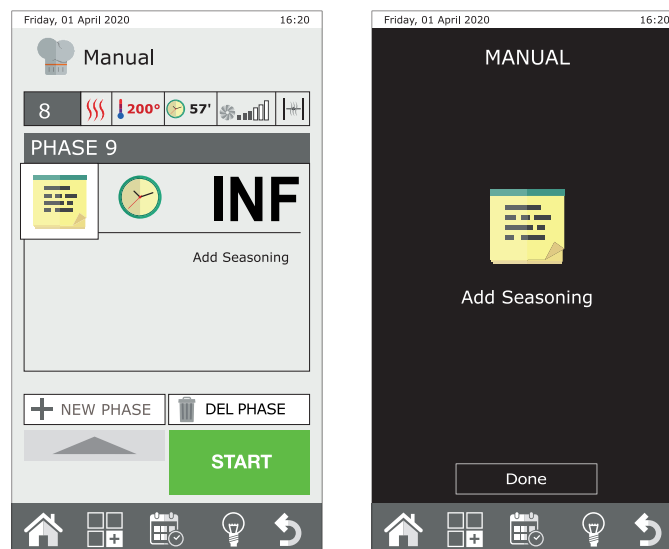
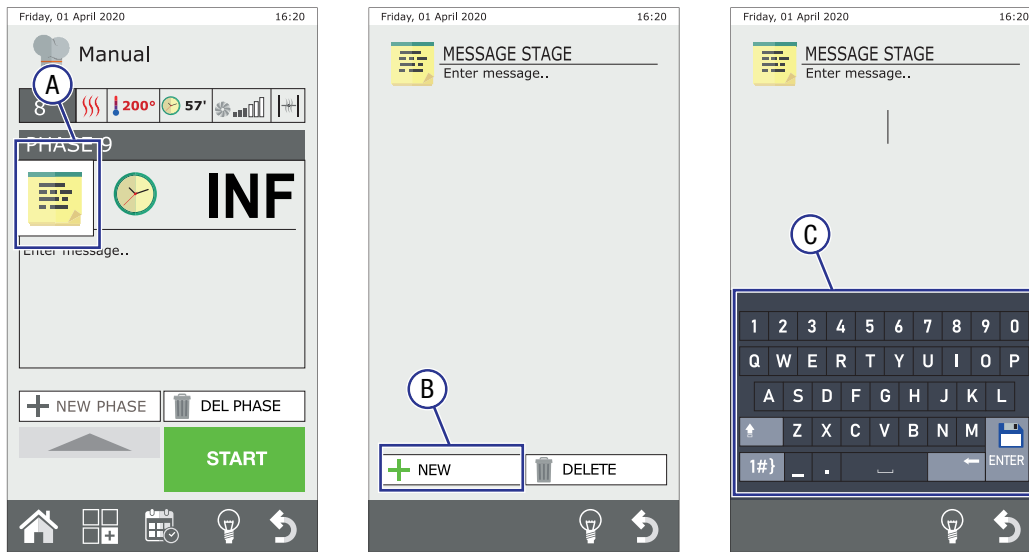


### 4.3.16 Setting New Phases With Text Messages

The message mode can be used for every cooking program/phase. This is used to inform the user of the cooking cycles and/or any processes that require a manual intervention.

A phase can only contain one text message (e.g. check the cooking process or add bacon).

- A. Select the text icon
- B. Select pre saved messages or touch the “+ NEW” field
- C. Type the message using the on-screen keypad. Press “Enter” to save
- D. Using the pop-up keypad clicking “Enter” to confirm

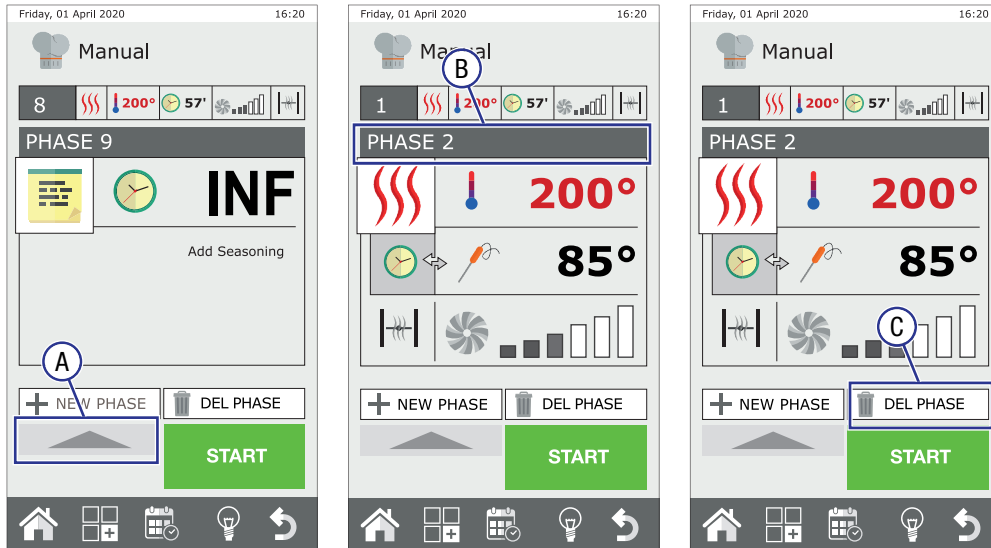


**Note:** While the message is displayed, the oven keeps running with the set temperature until “Done” is pressed (If programmed, the next phase will start).

### 4.3.17 To Delete a Phase

If required one or more phases can be deleted from the manual program.

- A. Touch the directional arrow to scroll through the set phases
- B. The expanded phase on the display is the phase that will be deleted
- C. Touch the "DEL PHASE" field. The phase is then removed from the list

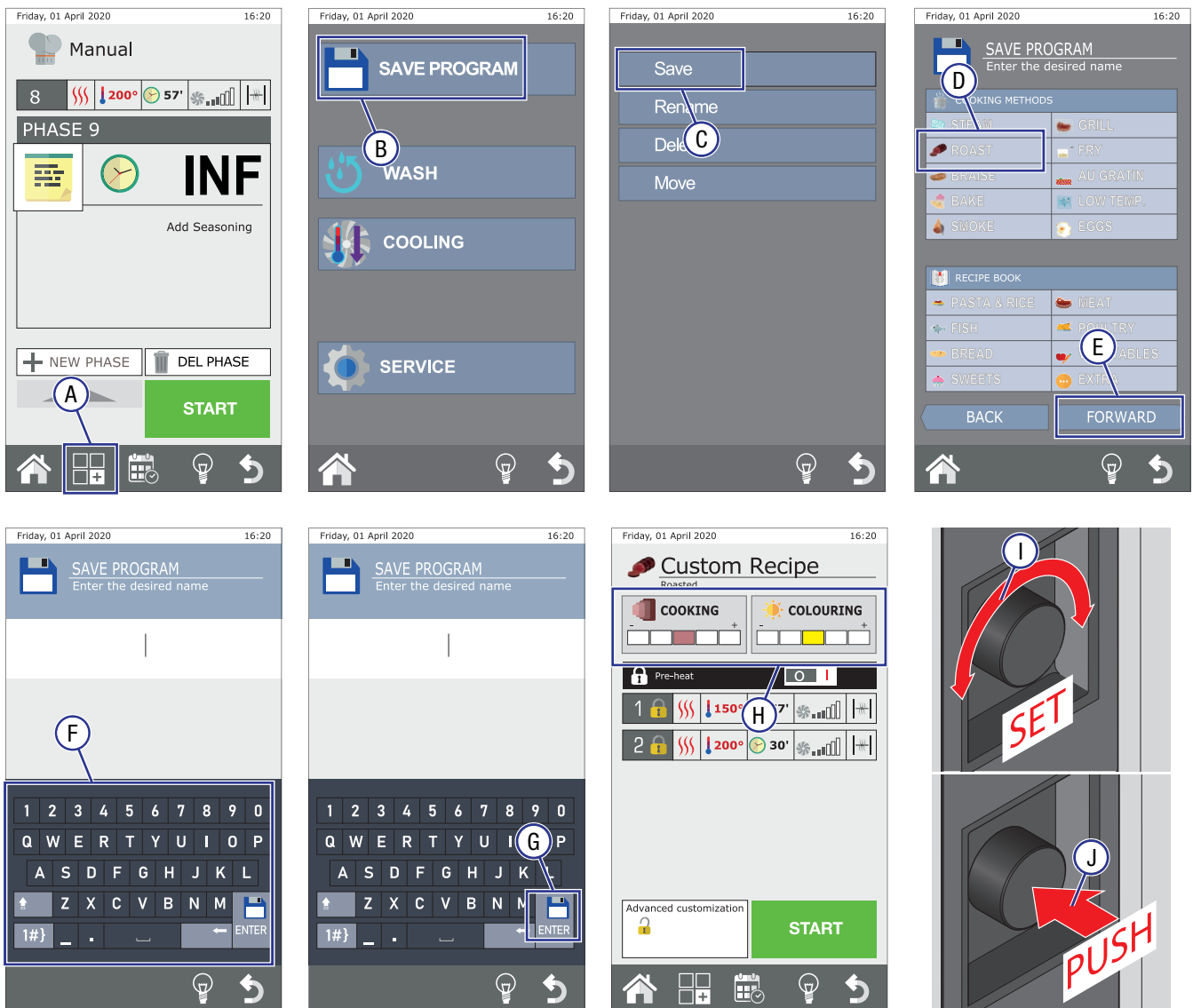


### 4.3.18 Saving a Recipe

Once the cooking program has been finalised (all required phases set), the cooking program can be saved. The cooking program needs to be assigned to one of the search parameters and named.

- A. Touch the settings field
- B. Touch “Save program”
- C. Touch “Save”
- D. Touch the search parameter for the cooking program to be assigned to e.g. “EXTRA” (this will help to find it easily in the future)
- E. Touch “FORWARD” to confirm
- F. Assign a name to the recipe using the keypad (e.g. “Lasagne”)
- G. Touch ENTER to confirm
- H. Depending on the type of cooking method selected, the display screen will show the option to change the type of colouring, humidity percentage or cooking level (e.g. cooking method: ROAST), Touch the symbol and set the desired value
- I. Turn the navigation dial to adjust the percentage value
- J. Press the navigation dial to save the set value

**Note:** The recipe can be started immediately by touching the “Start” key, or exit the window using the key, to be used later. Saved recipes, can be modified at any time (names / parameters). This will permanently overwrite the recipe.

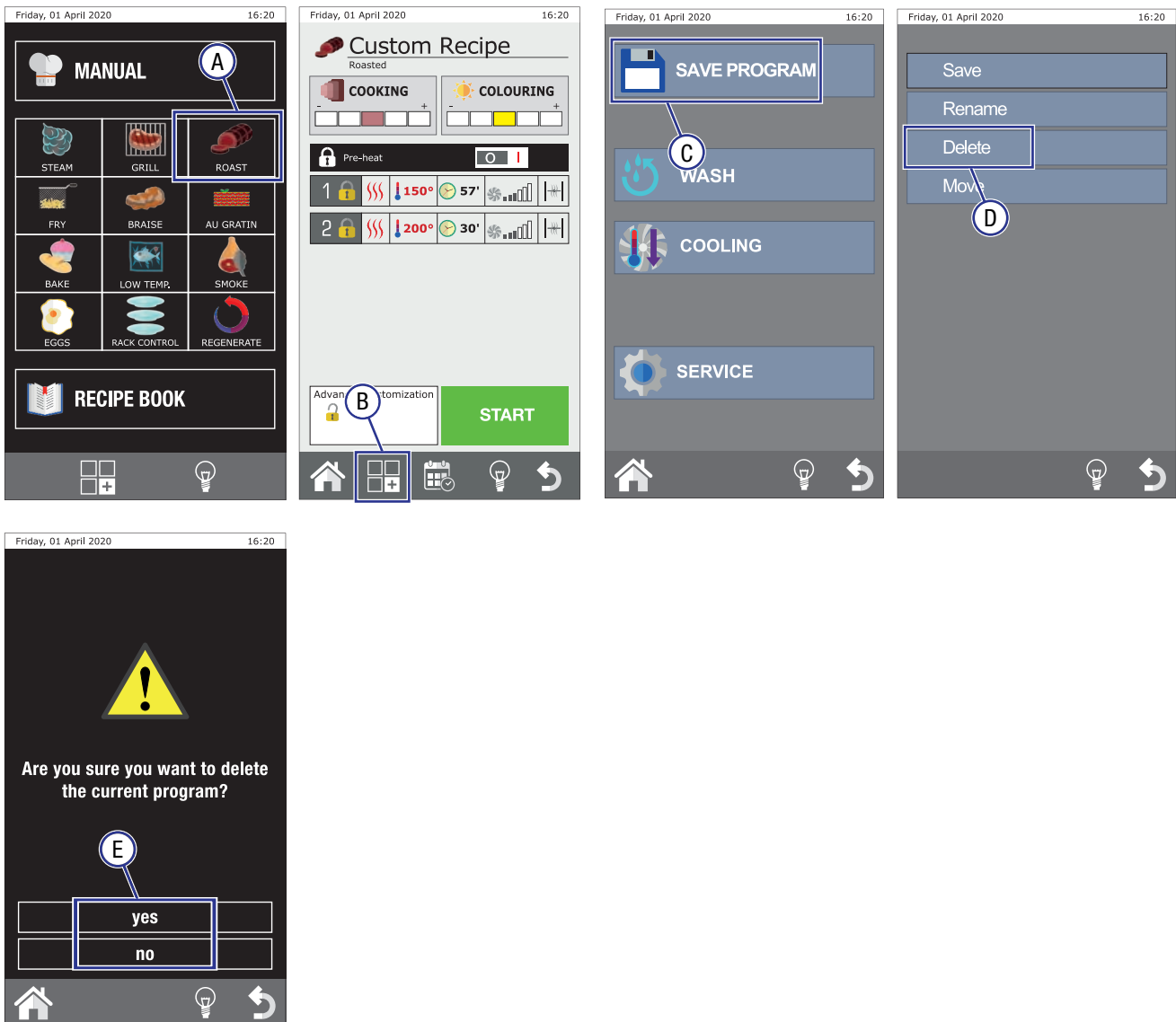


Due to continuous product research and development, the information contained herein is subject to change without notice.

### 4.3.19 Delete a Cooking Program

A saved manual cooking program can be deleted. This is done when the cooking program is open.

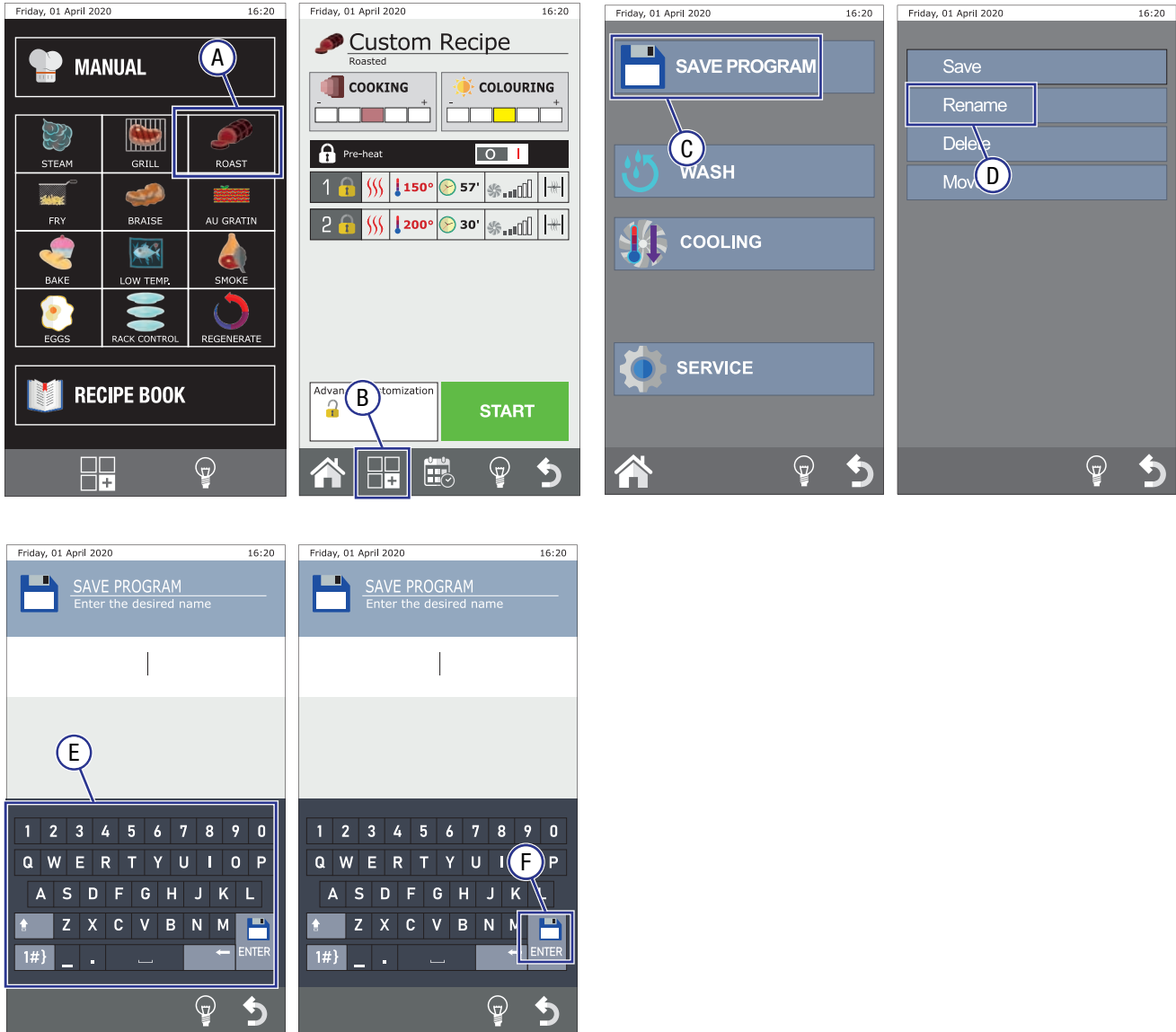
- A. Open the custom cooking program
- B. Touch the settings field
- C. Touch "Save program"
- D. Touch "Delete"
- E. Select Yes to delete the cooking program. Select No to cancel the function



## 4.3.20 Rename a Cooking Program

A saved manual cooking program can be renamed.  
This is done when the cooking program is open

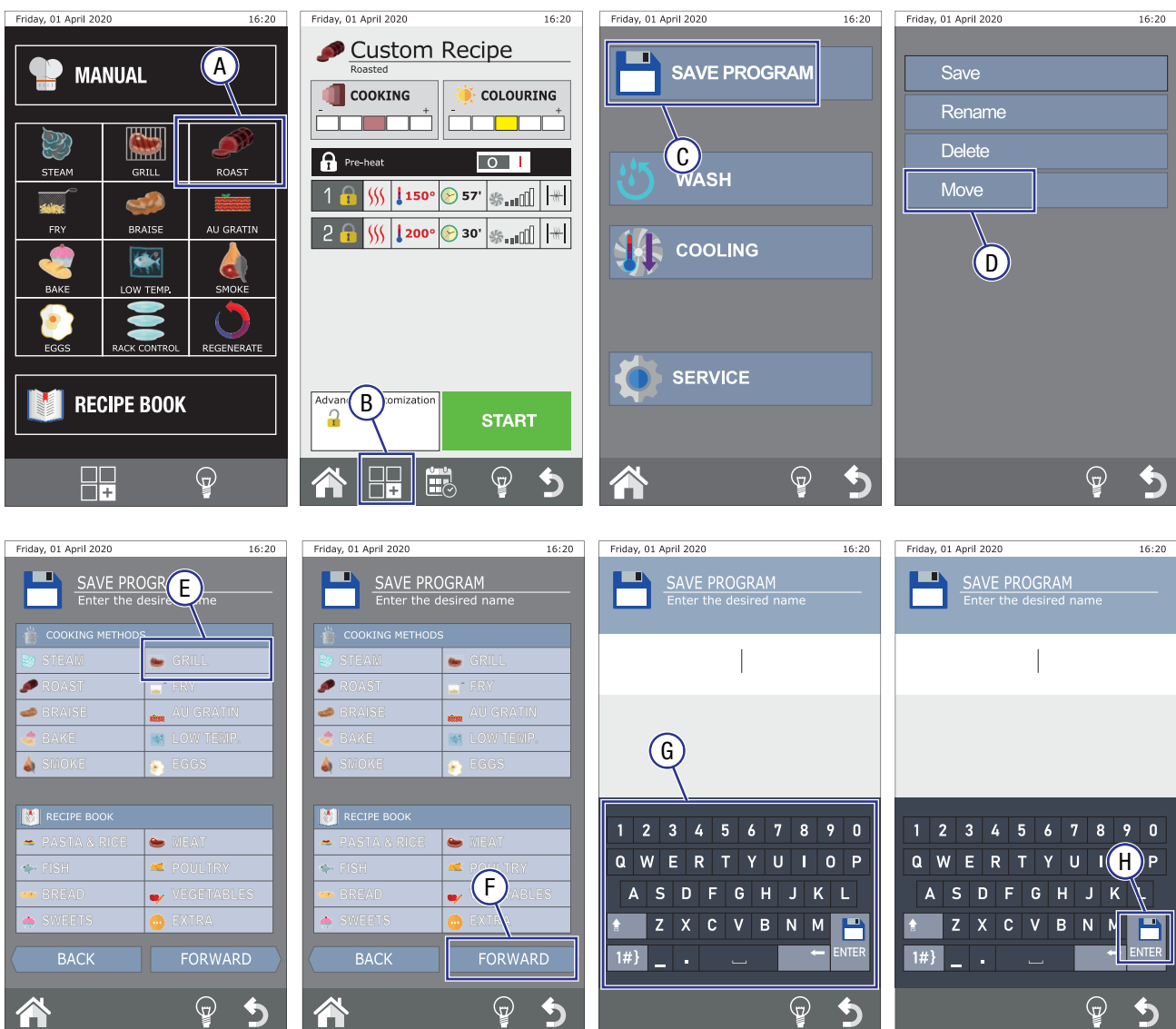
- A. Open the custom cooking program
- B. Touch the settings field
- C. Touch “Save program”
- D. Touch “Rename”
- E. Assign a name to the recipe using the keypad (e.g. “Lasagne”)
- F. Touch ENTER to confirm



**4.3.21 Move a Cooking Program**

A saved manual cooking program can be moved to a new recipe book or cooking method. This is done when the cooking program is open.

- A. Open the custom cooking program
- B. Touch the settings field
- C. Touch “Save program”
- D. Touch “Move”
- E. Select the new location (e.g. “Roast”)
- F. Touch “Forward”
- G. The option to enter a new recipe name will be displayed. Assign new name to the recipe use the keypad (e.g. “Lasagne”) or skip to next step
- H. Touch “ENTER” to confirm the recipe name





## 4.4 Automatic Cooking

### 4.4.1 Cooking Program Selection

Cooking programs can be categorised two ways, Cooking Methods or Recipe Book:

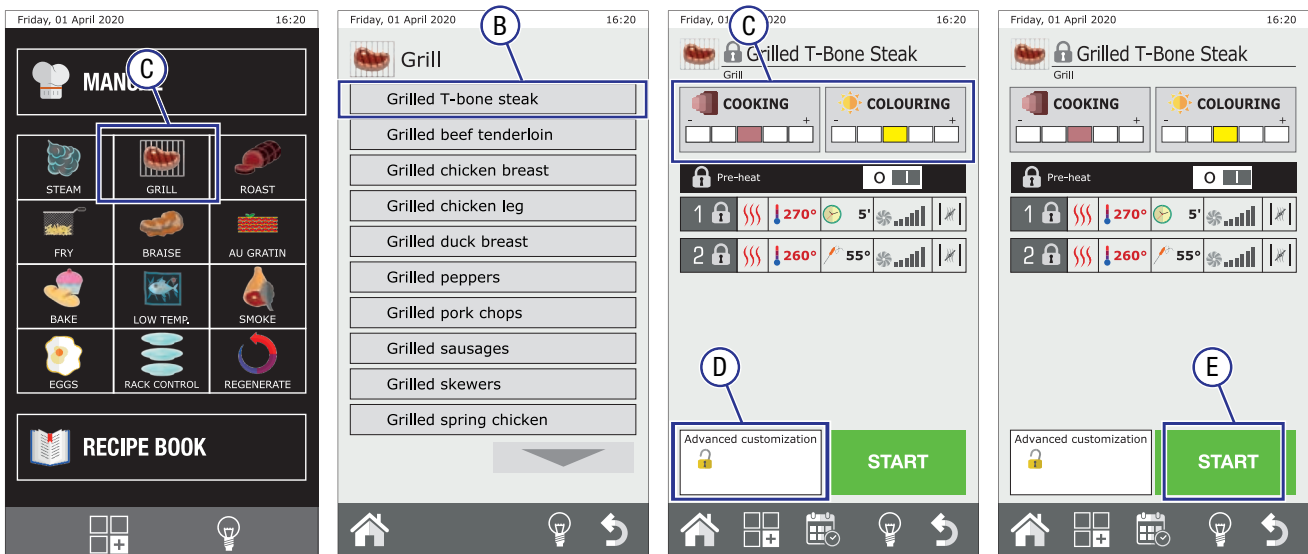
- Cooking methods, categorises the process/method used for cooking (e.g. Steam, Braised, Fried etc.)
- Recipe Book, categorises the type of dish (e.g. Pasta & Rice, Meat, Poultry etc.)

To switch between these two search methods, touch the “Recipe Book” or “Cooking Methods” field.



### 4.4.2 How To Use The Automatic Cooking Program

- Select the cooking method/category containing the recipe required (e.g. steam)
- Select the required recipe (e.g. Boiled beef)
- Based on the recipe, choose the colouring and/or the cooking level by touching the symbol and setting the desired value
- (Optional) Touch the “Advanced Customization” field, apply any required changes to the cooking phases parameters (e.g. temperature, fan speed).
  - Default Cooking Programs: The changes applied are temporary, i.e. only apply to the cooking cycle to be started
  - Custom Cooking Programs: The changes applied are permanent, i.e. the original program will be overwritten
- Begin the cooking cycle by touching “Start”



Due to continuous product research and development, the information contained herein is subject to change without notice.

## 4.5 Special Automatic Cooking Programs

### 4.5.1 Regeneration

The Regenerate function brings pre-cooked food and food stored in a cold room, to the ideal temperature and appearance.

The regeneration function can be set two ways:



**CRISPY**

Ideal for lasagne, crepes, and potatoes.



**SOFT**

Ideal for delicate products, such as fish, roasts, or vegetables.

The duration of the regeneration cycle can be set two ways:



**TIME**

The cooking cycle stops automatically when the set time expires (range: from 1 minute to 40 hours)

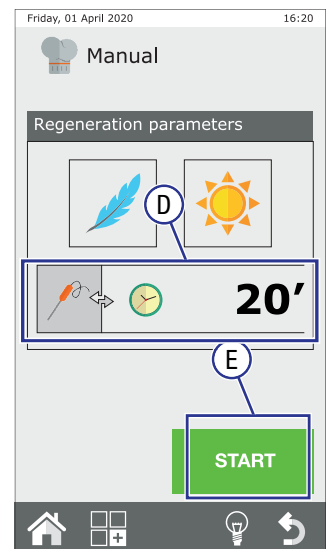
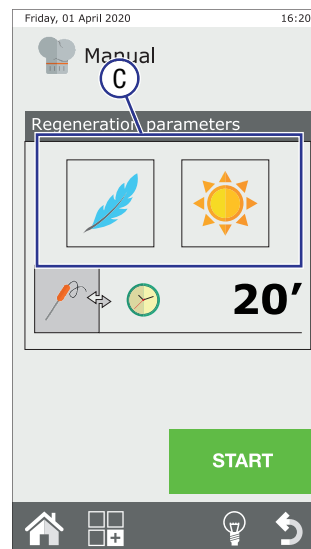
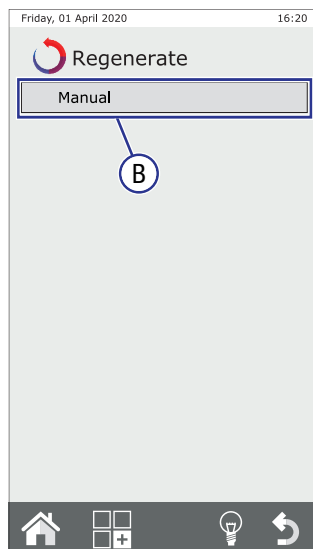
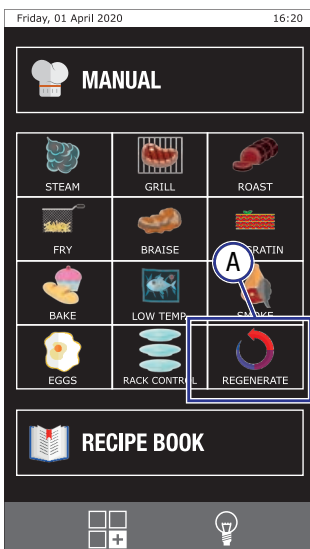


**CORE PROBE**

The cooking cycle stops automatically when the set temperature value for the probe inside the food has been reached

Regenerate:

- A. Enter the "Cooking Methods" display. Touch "Regenerate"
- B. Touch the "Manual" field
- C. Select "Crispy" or "Soft"
- D. Select "Time" or "Core Probe" and set the value
- E. Touch "Start" for the regeneration cycle to begin



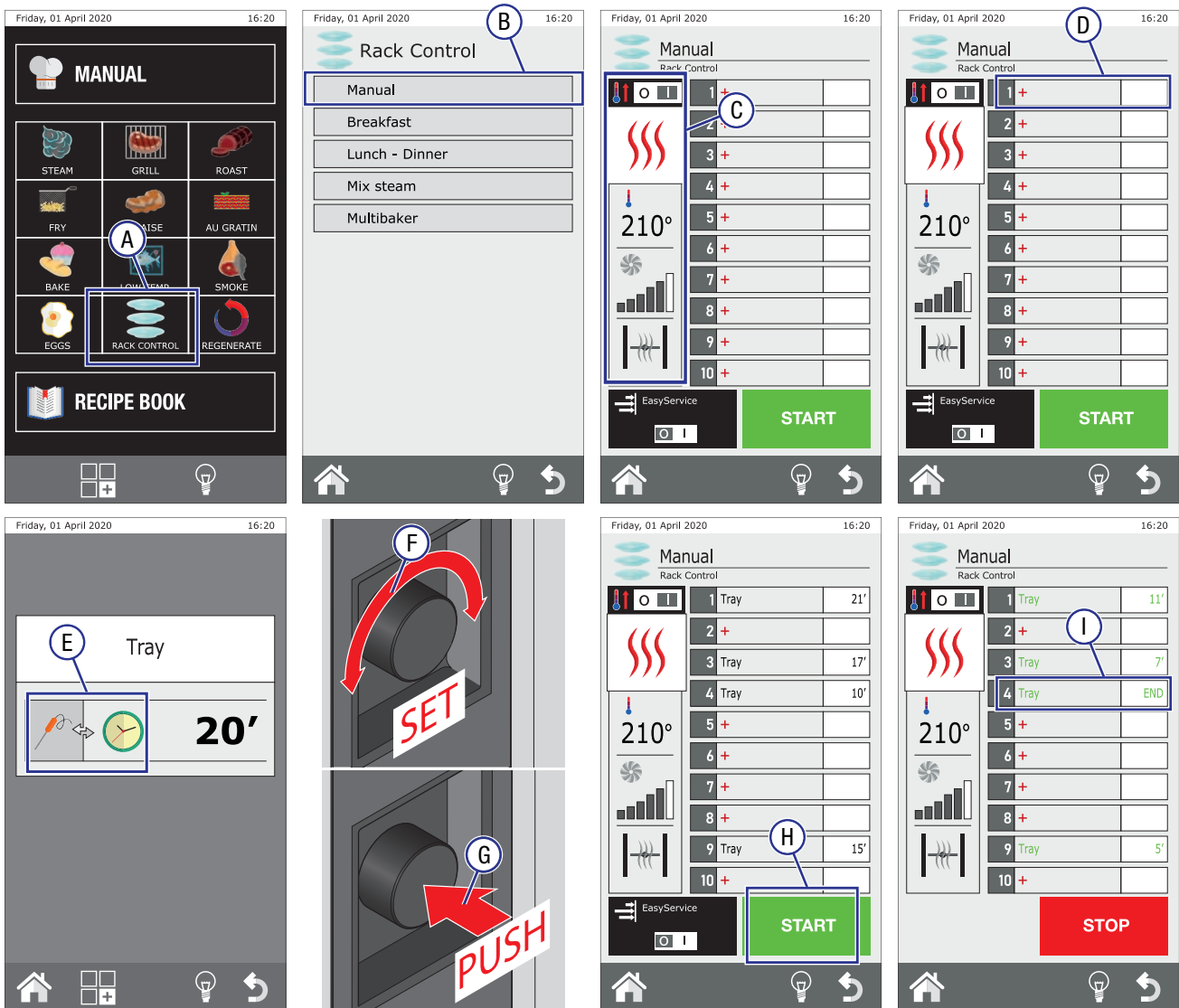
## 4.5.2 Rack Control - Manual Setting

Manually set timers for each tray (up to 6 or 10 depending on the oven model).

- Once cooking parameters have been set, up to 10 timers can be manually set (each one is assigned to a tray)
- Timers can be set by “Time” and/or one timer can be set using “Core Probe”
- As soon as the set time elapses (if duration is set by the time) or the core probe reaches the set temperature, an audible sound will be emitted and the message “End” will display to warn the operator about which trays are ready to be removed from the oven, while the others keep cooking (the oven runs in INFINITE MODE)

Manual Setting:

- Press “Rack Control”
- Select “Manual”
- Enter the cooking parameters
- Select a tray
- Select “Time” or “Core Probe”
- Turn the navigation dial to adjust the value
- Press the navigation dial to save the set value to the selected tray. Repeat for the required amount of trays
- Touch “Start” for the rack control to begin (the countdown timers start)
- Trays showing “END” can be removed from the oven



Due to continuous product research and development, the information contained herein is subject to change without notice.

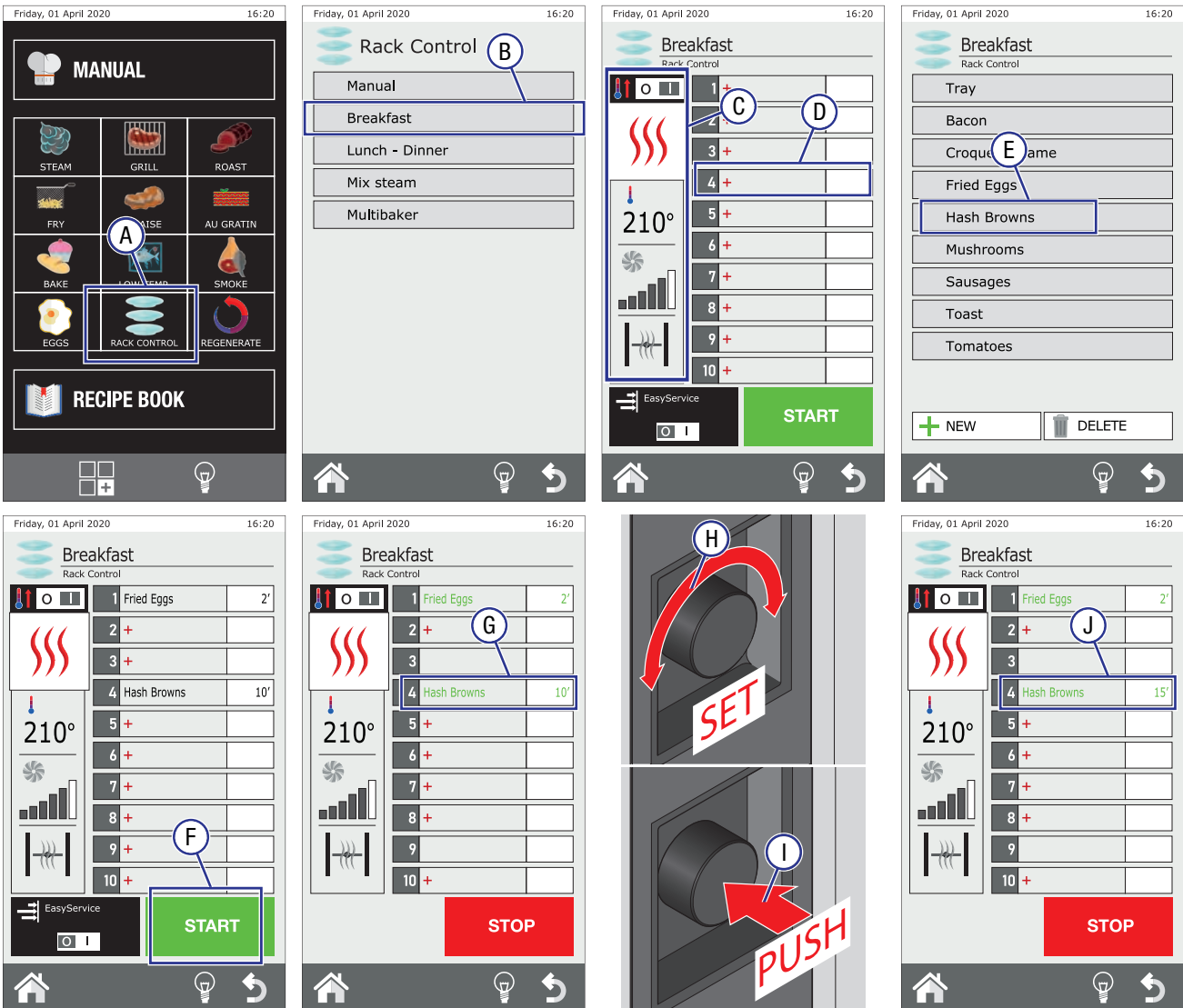
**4.5.3 Rack Control - Menu Setting**

Pre-set menus (e.g. breakfast, multi-baker, etc.), where typical dishes are already loaded with timers already assigned

- Once the cooking parameters have been set, select a menu containing dishes with assigned timers. This allows the menu to be customised based on the users requirements
- As soon as the set time elapses (if duration is set by time) or the core probe reaches the set temperature, an audible sound will be emitted and the message “End” will display to warn the operator about which trays are ready to be removed from the oven, while the others keep cooking (the oven runs in INFINITE MODE)

Menu Setting:

- Touch “Rack Control”
- Select a customised menu e.g. “Breakfast”
- Enter the cooking parameters
- Select a tray
- Select a menu item to be assigned to the selected tray e.g. “Hash Browns”, or press “+NEW” to create a new menu item  
Repeat for the required amount of trays
- Touch “Start” for the rack control to begin
- The countdown timers start. If needed the pre-set timers can be adjusted. Select the tray to be adjusted. Select “Time” or “Core Probe”
- Turn the navigation dial to adjust the value
- Press the navigation dial to save the set value to the selected tray
- The adjusted time is now displayed



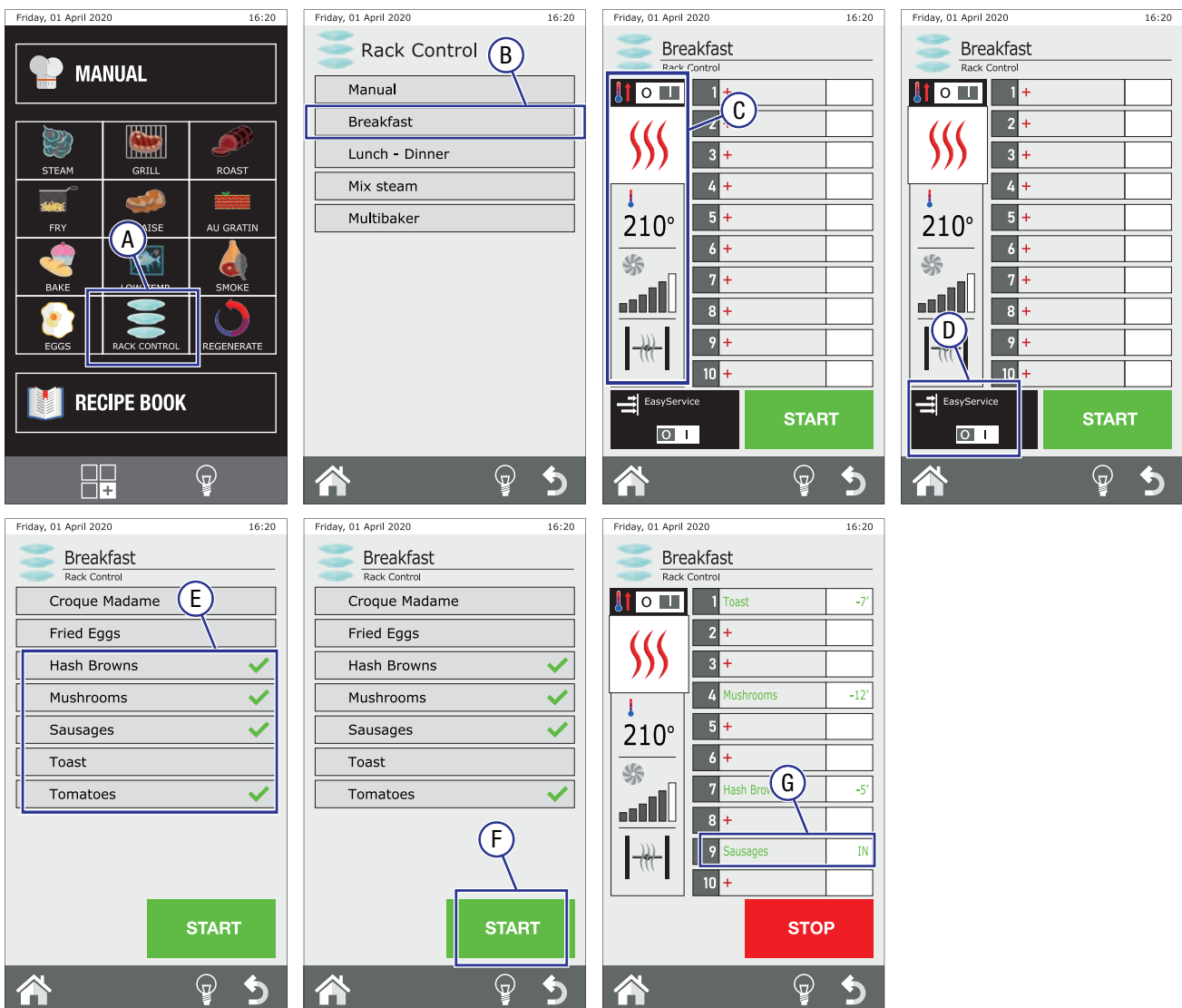
## 4.5.4 Rack Control - Easy Service

Once the cooking times for each tray have been set (see points - manual setting or menu setting), the EASY SERVICE function can also be selected.

In this case, the dishes will be ALL ready at the same time, as the oven will warn the operator when it is time to put a tray in the oven cavity, based on the duration of the cooking cycle set for each tray.

Easy Service Setting:

- A. Press "Rack Control"
- B. Select the customised menu e.g. "Breakfast"
- C. Enter the cooking parameters
- D. Select "Easy Service"
- E. Select menu items. Menu items will be assigned to trays in the order starting at 1 in the order selected
- F. Touch "Start" for the rack control to begin
- G. The countdown timers start. To have the trays ready at the same time, place the "IN" tray into the oven first (add each additional tray as required)



## 4.6 Special Functions

### 4.6.1 Cooling Of The Chamber

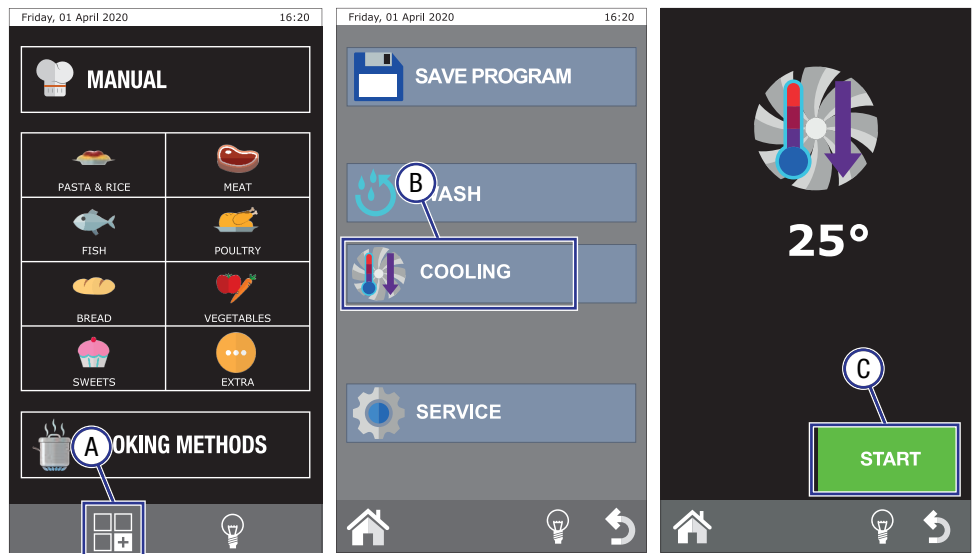
Before starting a recipe, the chamber can be cooled before cooking foods that require a lower temperatures or before a wash cycle. No function can be used when the cooling cycle is in progress.

The cooling cycle can be carried out with the door closed or open. It is recommend keeping the door closed until the temperature has dropped.



To cool the oven chamber:

- A. Touch the “Settings” icon
- B. Touch “Cooling”
- C. Touch “Start” to begin the cooling cycle

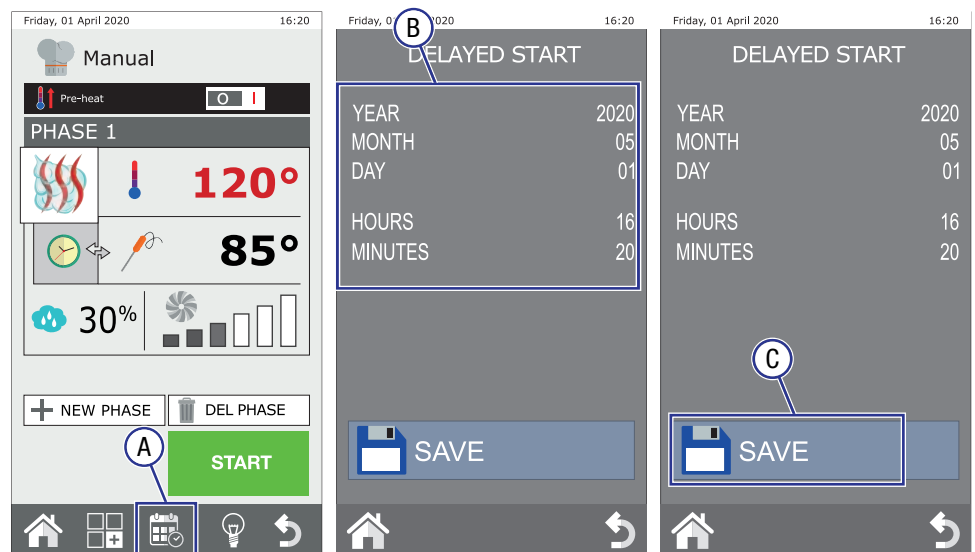


### 4.6.2 Delayed Start

If required, when setting a cooking program or once a recipe is open, a delayed start time can be set.

To set delayed start:

- A. Select the date and time icon
- B. Set the date and time for the delayed start to begin
- C. Press “OK” to confirm



## 4.7 Importing / Exporting Recipes and Log To USB

Files can be imported/exported (in FAT32 format) to a USB stick. The USB port is on the underside of the front control panel of the oven

### Recipes:

- Saved recipes, including altered default recipes can be imported or exported

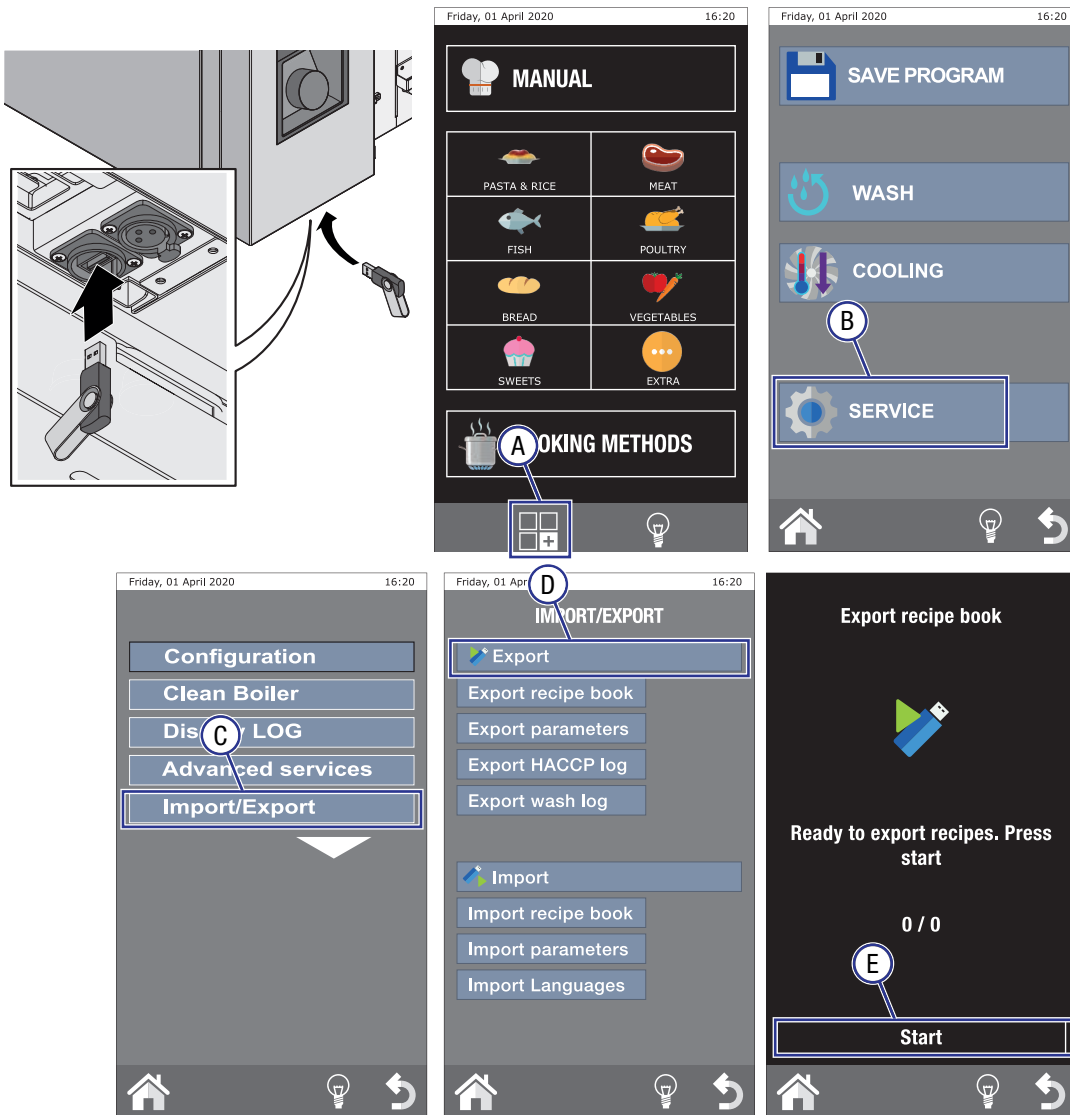
### Logs:

Logs are a list of the events occurred, e.g. wash logs provide information about the type of wash, date and time in which it was carried out.

- HACCP
- Of the alarms triggered
- Of the wash cycles carried out

### 4.7.1 Import / Export

- Insert USB into the USB Port. Enter the settings menu
- Touch "Service"
- Touch "Import / Export"
- Select one of the options from the Import or Export menu. e.g. "Export Recipe Book"
- Touch "Start" to begin the file transfer to USB



Due to continuous product research and development, the information contained herein is subject to change without notice.

## 4.8 Display LOG

To display the Logs only:

- A. Enter the settings menu
- B. Touch "Service"
- C. Touch "Display Log"
- D. Select "Alarms Log" or "Wash Log"



## 4.9 HACCP Protocol

HACCP (Hazard Analysis and Critical Control Points) is an internationally recognised method of identifying and managing food safety, through the use of preventative procedures that ensures hygiene and health in food.

This protocol begins with the analyses of the possible risks of bacterial, chemical and physical contamination in every stage of the food production process, including storage, distribution and consumption of the finished product.

HACCP identifies the critical points where contamination is more likely to occur. Based on these results, specific procedures are studied and applied to constantly monitor every stage of the food process to prevent hazards.



## 5.0 Cleaning and Maintenance

### 5.1 Cleaning

#### 5.1.2 Cleaning and Maintenance Schedule

For good kitchen hygiene, the oven should be visually inspected by management at least once per week. The below 'Cleaning and Maintenance Schedule' provide a cleaning guide for Extreme, Heavy and Light duty operation.

Additionally, a service technician is required to perform the Scheduled Maintenance Services (refer to page 68)

- Daily cleaning is required for the oven, to help maintain and prolong the efficiency of the oven
- The oven should be cleaned at the end of each work day
- DO NOT USE: Wire brushes, steel wool/sponges, scrapers or other abrasive materials
- Wait for the oven chamber to cool down before cleaning. Must be under 100°C

This schedule is a guide only.

Item	Daily	Weekly	1 Month	3 Months	6 Months	12 Months
5.1.7 Cleaning External Surfaces	X					
5.1.8 Cleaning Internal Cavity	X					
5.1.9 Humidity Discharge		X				
5.1.10 Wash hose						
5.1.11 Cleaning Glass Door	X					
5.1.12 Inspect Door Seal			X			
5.1.13 Inspect Light Switch			X			
5.1.14 Cleaning Internal Rack	X					
5.1.15 Rinse Head			X			
5.1.16 Control panel ventilation filter			X			
5.2 Automatic Cleaning	X					
5.3 Boiler Descaling				X		
5.5 Water Filtration				X	X	X

Item	0 hours 1 month	2500 hours 12 months	5000 hours 24 months	7500 hours 36 months	10000 hours 48 months
Initial Inspection	X				
Scheduled maintenance service		X			
Scheduled maintenance service			X		
Scheduled maintenance service				X	
Scheduled maintenance service					X

#### 5.1.3 Materials Required

- Stainless Steel Cleaner
- Non Abrasive Cleaning pad
- Clean Sanitised Cloth
- Warm soapy water
- Appropriate PPE (Personal Protective Equipment)

**5.1.4 General Information**

- Cleaning is recommended for health and safety purposes and to prolong the life of the unit
- **DO NOT** use abrasive pads or cleaners on the stainless steel or any other metal parts of the unit
- **DO NOT** use industrial chemical cleaners, caustic based cleaners or bleaches and bleaching agents, as many will damage the metals and plastics used on this unit
- **DO NOT** remove any screws and/or panels for cleaning (unless directed)
- This unit is **NOT** waterproof, **DO NOT** hose, **DO NOT** pour water directly onto the unit, **DO NOT** immerse in water

**5.1.5 Corrosion Protection**

- Stainless steel exhibits good resistance to corrosion however, if not properly maintained stainless steel can rust and/or corrode
- Any sign of mild rust and/or corrosion should be thoroughly cleaned with warm soapy water and dried as soon as possible
- NEVER use abrasive pads or cleaners for cleaning
- All metal surfaces should be checked while cleaning for damage, scuffs or scrapes as these can lead to rust and further damage to the product
- Mild rust and/or corrosion can be treated with a commercial cleaning agent that contains citric/oxalic/nitric/phosphoric acid. **DO NOT** use cleaning agents with chlorides or other harsh chemicals as this can cause corrosion. After treatment, wash with warm (not hot) soapy water and dry thoroughly
- Thoroughly wipe the surfaces dry after cleaning. **DO NOT** let water pool on the unit. Check crevices and folds for pooling
- When using, ensure all liquids and moisture is cleaned up straight away. Food liquids such as juices from vegetables and fruits should not be left on preparation surfaces
- **DO NOT** leave items on the stainless steel such as cutting boards, rubber mats and bottles

**5.1.6 Surface Finish**

- To protect the polish, stainless steel should be dried by wiping a dry soft cloth in the same direction as grained polished finish
- For NON-food contact surfaces, a light oil can be wiped on the surfaces with a cloth to enhance the stainless steel surface. Wipe in the direction of the grain
- Some commercial stainless steel cleaners can leave residue or film on the metal; this may trap fine particles of food on the surface, thus deeming the surfaces not food safe

	<p style="text-align: center;"><b>IMPORTANT</b></p> <p>Threaded fasteners can loosen in service. Regular inspection and adjustment should be carried out as required</p>		<p style="text-align: center;"><b>WARNING</b></p> <p>This unit is <b>NOT</b> waterproof, do <b>NOT</b> hose. <b>DO NOT</b> pour water directly onto the unit. <b>DO NOT</b> immerse in water</p>
	<p style="text-align: center;"><b>IMPORTANT</b></p> <p>Some commercial stainless steel cleaners leave residue or film on the metal that may entrap fine particles of food, deeming the surface not <b>FOOD SAFE</b></p>		<p style="text-align: center;"><b>WARNING</b></p> <p>Wait until the unit has cooled to a safe temperature before undertaking any cleaning or maintenance. Contact with hot surfaces can cause burns and serious injury</p>

**5.1.7 Cleaning External Surfaces**

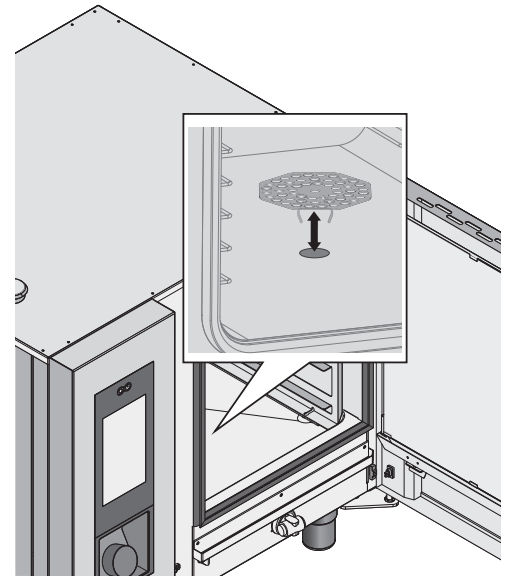
1. The oven exterior should never be cleaned with direct water or high pressure jets
2. Wipe clean using a cloth dampened with clean warm soapy water until all has been removed
3. Scrub any baked on soil with the cleaner pad in the same direction as grained polished finish. **Do not scrub the display panel**
4. Wipe clean using a cloth dampened with clean warm water until all Stainless Cleaner and soil has been removed
5. Using a clean sanitised cloth, thoroughly wipe the stainless steel and metal parts dry. Do NOT let water pool on the unit. Check crevices and folds

## 5.0 Cleaning and Maintenance

### 5.1.8 Cleaning Internal Cavity

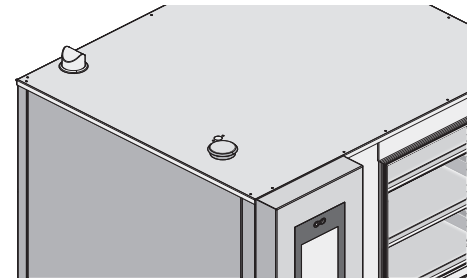
Before running the automatic cleaning cycle the oven may require large soil/waste to be manually removed

1. Remove any loose soil from the oven cavity and around the drain using a clean damp cloth
2. Remove the drain can cover and dispose of soil. Do not push/force solid waste into the drain. This is to prevent blockages and possible back-flow
3. Re-insert the drain cover



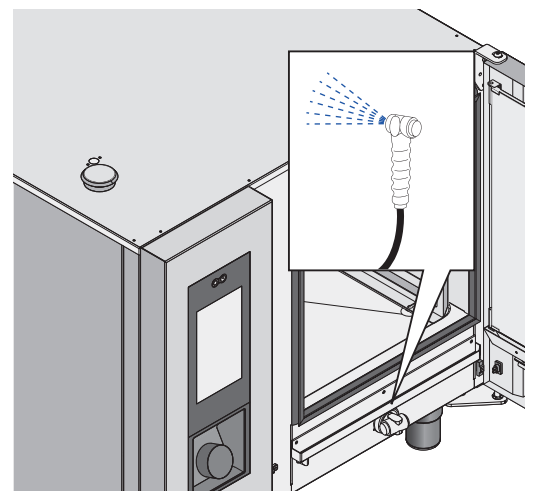
### 5.1.9 Humidity Discharge

The humidity discharge expels the vapours produced inside the cooking chamber. Check that it is always perfectly clean and free from obstructions.



### 5.1.10 Wash Hose

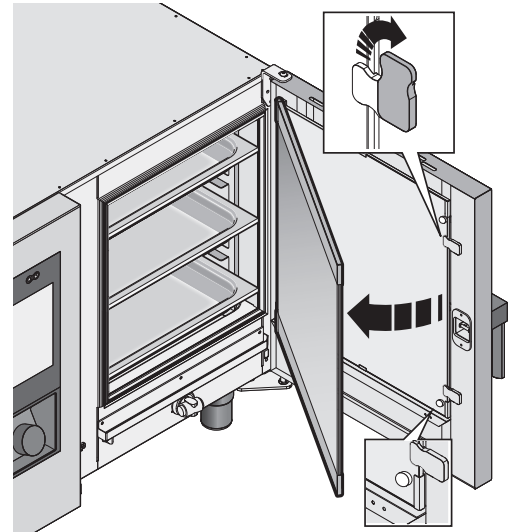
The wash hose can be used to rinse the oven chamber. Do not spray the control panel



**5.1.11 Cleaning Glass Door**

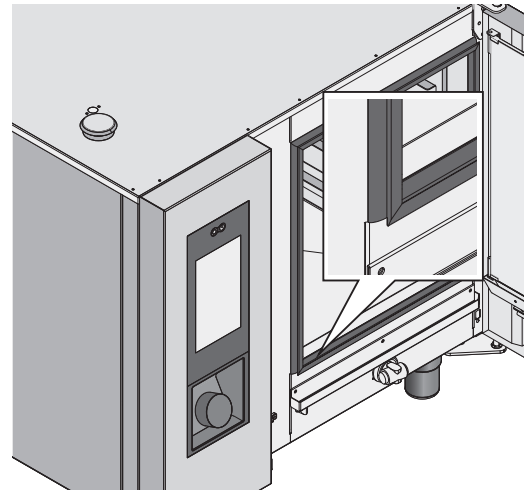
The door glass can be cleaned both on the outside and on the inside.

1. Rotate the two latches that lock the internal glass door
2. Swing internal glass door open
3. Check and confirm inner door glass bumpers are in-place and tensioned to prevent the glass from vibrating. Rotate to adjust
4. Clean with warm soapy water and a clean cloth Never use abrasive materials
5. Close the glass door, rotate the two latches back into position



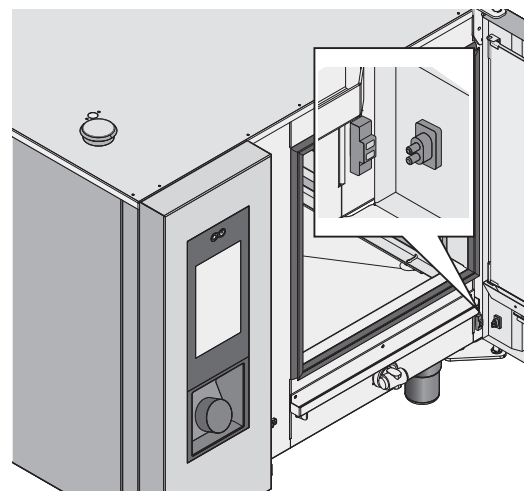
**5.1.12 Inspect Door Seal**

1. Clean the door gasket with a clean damp cloth
2. Check the door seal for any splits



**5.1.13 Inspect Light Switch**

1. Clean the door light switch with a clean damp cloth, ensure there is no soil on the contact points

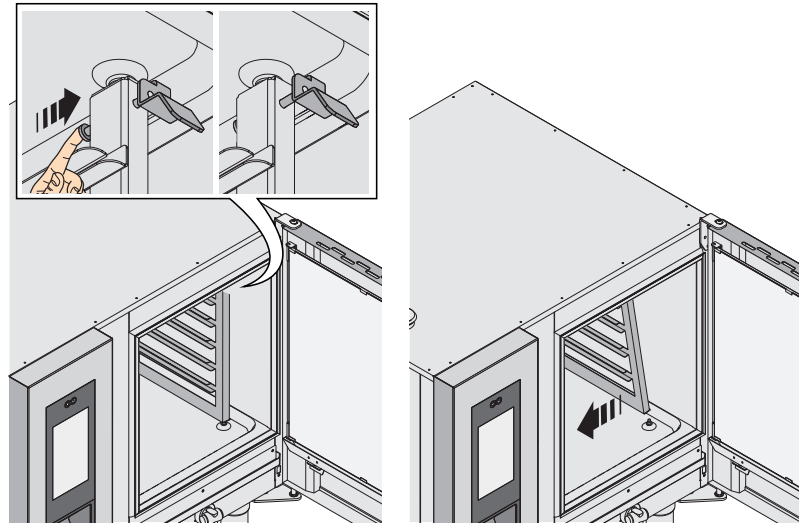


## 5.0 Cleaning and Maintenance

### 5.1.14 Cleaning Internal Rack

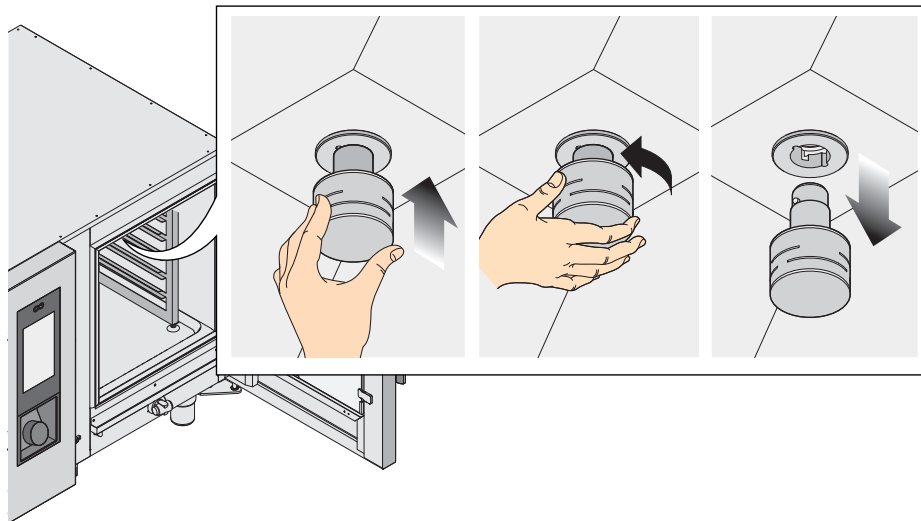
Normally, the automatic wash cycles clean internal racks effectively. However if required, these can be easily removed.

1. Pull the two rack locking levers forward
2. Pull the rack sideways then remove from the oven cavity
3. Clean using warm soapy water, rinse thoroughly and dry
4. Re-install into the oven, ensure the rack locking levers are pushed back into position



### 5.1.15 Rinse Head

Periodically remove the rinse head and leave it immersed in a solution of water and vinegar for 4hrs (longer if required). Rinse thoroughly and dry. Re-install rinse head

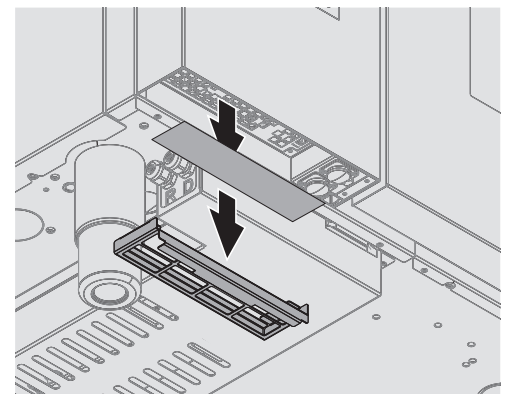


### 5.1.16 Control panel ventilation filter

The oven control panel ventilation filter (F) must be cleaned minimum once a month.

1. Slide the filter down to remove
2. Wash with clean warm soapy water
3. Ensure filter is dry before reinstalling




The filter should be replaced annually or as required.



**5.2 Automatic Cleaning**

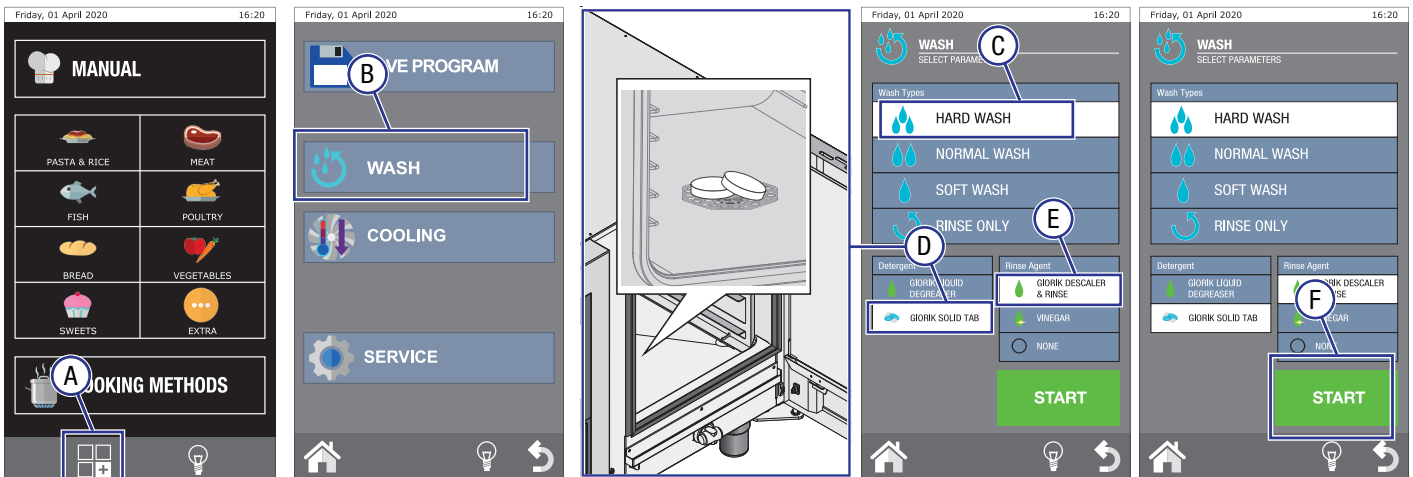
**5.2.1 Wash Selection**

There are four options when selecting a automatic wash program.

<b>SOFT</b>		65 - 75 minutes	light dirt
<b>NORMAL</b>		1 hour and 30 minutes	normal dirt
<b>HARD</b>		1 hour and 50 minutes (wash tablets) 2 hour and 35 minutes (wash using a liquid detergent)	intense dirt
<b>RINSING PROGRAM</b>	The rinse program does not involve the use of detergents but you can decide whether to use the rinse agent or not.		

To select a automatic wash program.

- A. Enter the settings menu
- B. Touch "Wash"
- C. Select appropriate wash program e.g. Hard Wash
- D. Select the required detergent (liquid or tablets). If tablets are selected and have not been placed in the oven do so now. Place two tablets directly onto drain cover
- E. Select the required rinse agent (white vinegar, organic rinse agent, none)
- F. Press "Start"



**Note:** Stoddart recommends using the Stoddart supplied tablets or liquid detergent, specific for your oven. Use of non-approved or recommended chemical will void warranty.

**Note:** Stoddart recommends using the Stoddart supplied rinse agent/descaler, specific for your oven. The use of white vinegar is allowed but the results on glass surfaces will not be as shiny and transparent.

Using the Stoddart supplied rinse agent/descaler, will allow the boiler's automatic descaling/cleaning function to be carried out (this operation is carried out simultaneously with the oven's wash program).


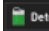

### 5.2.2 Start the Wash Program

	<b>IMPORTANT</b>
	<p><b>During a wash cycle, do not open the oven's door. Risk of injuries and intoxication due to vapours</b></p>

Start the wash program by touching “Start”

Depending on the options selected, some windows will prompt the operator to clean the chamber gasket using a soaked cloth, add the tablets or check the level of detergent and rinse agent.

- If the detergent and/or rinse agent tanks need to be replaced, select the relative key:

 Both replaced	Both the liquid detergent and rinse agent/descaler tanks have been replaced.
 Detergent replaced	The liquid detergent tank has been replaced
 Rinse agent replaced	The rinse agent/descaler tank has been replaced

- A window will indicate the progress of the wash program (divided into four stages):

<b>Pre-wash</b>	A “wet” steam phase is carried out without using a detergent to soften coarse residue.
<b>Wash</b>	The wash cycle using a detergent
<b>Rinse</b>	Rinsing of the chamber (three cycles + one using rinse agent, where applicable) to remove any trace of detergent.
<b>Drying</b>	Air drying the oven chamber.

**Note:** If regularly cooking with fatty foods (e.g. pork roast, roasts, etc.), between one cooking cycle and another, it is recommend to start the rinse program to facilitate the final cleaning procedure and ensure the utmost hygiene.

### 5.2.3 Stop the Wash Program

In certain circumstances the wash cycle may need to be stopped.

The wash cycle can only be stopped at certain stages:

<b>Pre-wash</b>	<b>STOP ALLOWED</b> Press “Stop”. If tablets were used, a pop-up displays asking for the removal of the tablets, together with any residue.
<b>Wash</b>	<b>STOP ALLOWED</b> Press “Stop”. The oven automatically switches to a rinse phase, which cannot be stopped.
<b>Rinse</b>	<b>STOP NOT ALLOWED</b>
<b>Drying</b>	<b>STOP ALLOWED</b> Press “Stop”. The wash cycle stops immediately



**Note:** If during a wash cycle the power to the oven is disconnected (e.g. power outage, turned off at supply) for a period less than two minutes, the oven will automatically resume the wash cycle when the power is restored.

If during a wash cycle the power to the oven is disconnected (e.g. power outage, turned off at supply) for a period longer than two minutes, when the power is restored, a message will be displayed about the power outage and a audible sound is emitted. A rinse will automatically start this cannot be stopped (If tablets were used, a pop-up displays asking for the removal of the tablets, together with any residue).

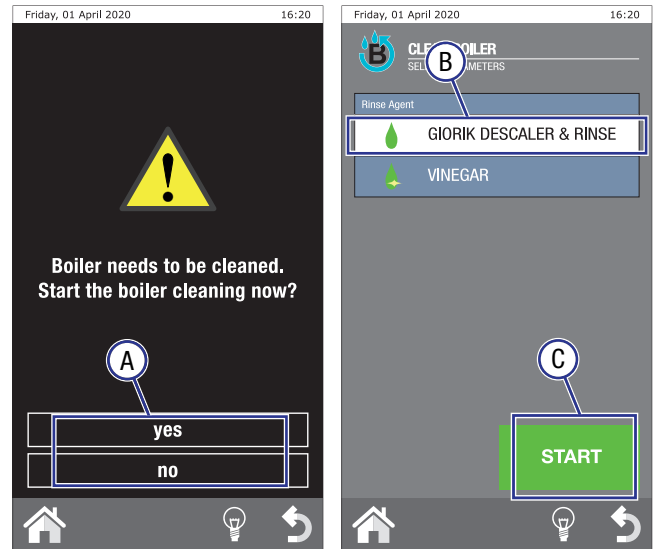
## 5.3 Boiler Descaling

### 5.3.1 Automatic

Ovens equipped with high performance boilers should be de-scaled periodically to keep the boiler efficient and reduce the risk of damage. If using Stoddart recommended rinse agent/descaler and have selected it, the oven can autonomously calculate when descaling will be carried out, displaying a notification to give the option to start this function.

- A. When the warning pop-up appears, press either yes or no:
  - YES: to start the descaling process. In this case, you just have to set the type of descaler to use (organic rinse agent or vinegar)
  - NO: to postpone the descaling process
- B. Select the required rinse agent (organic rinse agent or vinegar)
- C. Touch "Start"

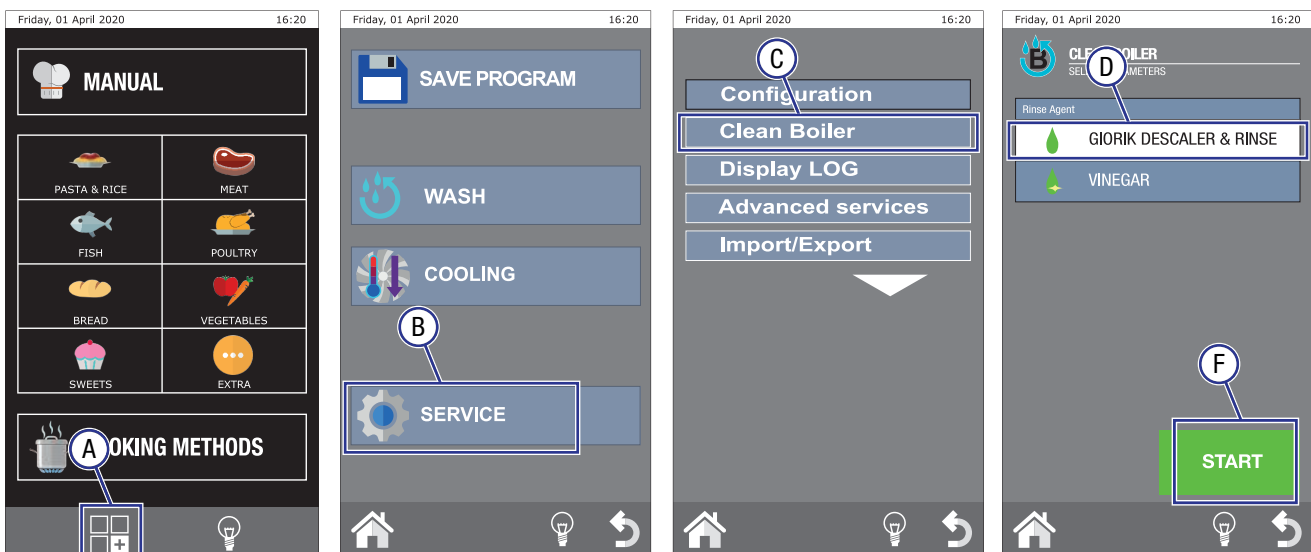
**Note:** A display window indicates the progress of the operation, which occurs in three steps: Getting Ready, Descaling phase and Rinse.



### 5.3.2 Manual

To select Boiler Descaling:


- A. Enter the settings menu
- B. Touch "Service"
- C. Touch "Clean Boiler"
- D. Select the required rinse agent (white vinegar, organic rinse agent, none)
- E. Touch "Start"



**Note:** A display window indicates the progress of the operation, which occurs in three steps: Getting Ready, Descaling phase and Rinse.



### 5.4 Liquid Detergent / Rinse Agent Connection

	<b>IMPORTANT</b>
	<b>Stoddart's preferred detergent method is Tablets. Only Stoddart provided oven cleaners should be used. Other products may lead to voidance of warranty!</b>

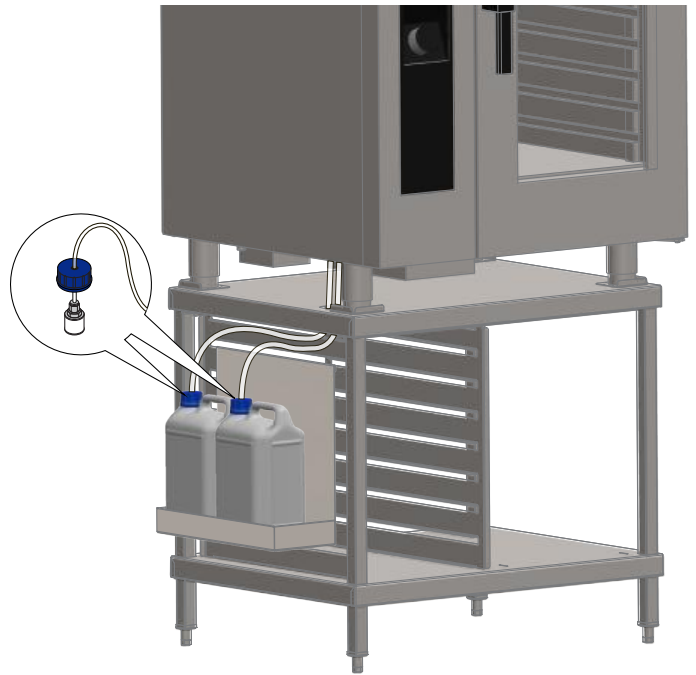
Detergent and Rinse Agent lines are located on the underside of the oven. When facing the oven:

Detergent Line - Left hand side  
Rinse Aid Line - Right hand side

- When tablets are to be used, roll the detergent line up and use zip-ties to secure
- If using the optional Stoddart bottle holder, place the holder on the outside of the grid rack
- Remove the bottle caps from both descaler and detergent
- Drill a 8mm hole in the centre of each cap
- Feed the detergent and rinse agent lines through the hole in the stand, then through the bottle caps
- Attach the weights to each line
- Place both lines and weight back into the bottles and secure bottle caps (ensure to place correct line in the correct chemical)

**Note:** The Stoddart supplied rinse agent is also used as the descaler

**Note:** The Stoddart supplied rinse agent or vinegar can be used. Vinegar will not aid the cleaning process as well as the rinse agent.

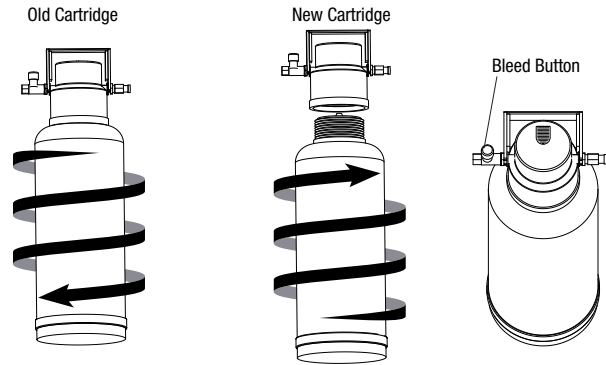


**5.5 Water Filtration**

- Water filtration is critical to the performance of the oven. Users must establish a regular filter replacement schedule. Required frequency will depend on the water quality and type of filtration system
- Filter change frequencies below are indicative minimums. If water quality is poor, the filter may need to be replaced more frequently
- Indicators that filters may require changing are:
  - Surface corrosion present in the oven cavity. Contact Stoddart for advice
  - Scale building up more frequently than normal
  - Oven starving for water creating error messages

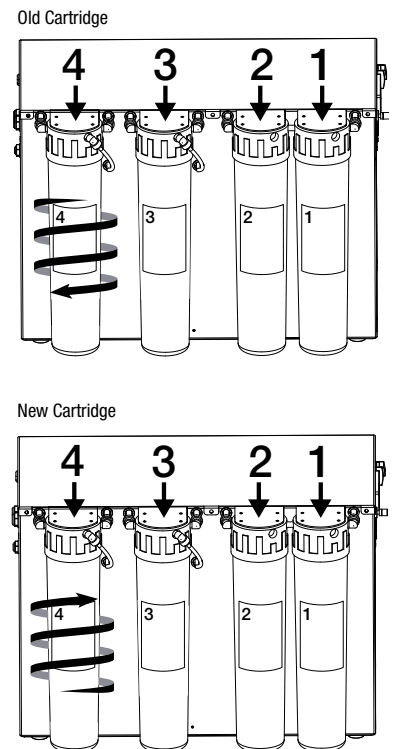
**5.5.1 Stoddart Supplied Filter - Cartridge**

- Filter to be changed a minimum of every 6 months, or more frequently in areas with poor water quality
1. Turn off water supply at the isolation tap
  2. Remove the old filter cartridge (unscrew clockwise)
  3. Before installing the replacement filter cartridge, mark the installation date and the replacement date (no later than 6 months) on the filter's rating plate. Diarise the replacement date as a reminder
  4. Install new filter cartridge (screw in anti-clockwise). To order new cartridge see page page 69
  5. Turn on the water supply
  6. Flush/bleed the new cartridge by pressing the "Bleed Button" for a minimum of 60 seconds (located on the top of the filter head)



**5.5.2 Stoddart Supplied RO Filter - Cartridges**

- A reverse osmosis filter is required in areas where the water has high chlorides or other corrosive minerals present. Where appropriate, this system should have been recommended by your supplier at the time of your oven purchase
  - Filters 1, 2 and 4 to be changed a minimum of every 6 months, or more frequently in areas with poor water quality
  - Filter 3 to be changed a minimum of every 12 months, or more frequently in areas with poor water quality
1. Turn off water supply at the isolation tap
  2. Remove the old filter cartridge (unscrew clockwise) until it stops. Pull the cartridge down to remove the cartridge
  3. Repeat steps 2 on the remaining cartridges
  4. All cartridges are labelled with a number on the top left hand corner. Use the correct numbered cartridge for the replacement. To order replacement cartridges see page 69
  5. Before installing the replacement filter cartridge, mark the installation date and the replacement date (no later than 6 months for filter 1, 2 and 4, no later than 12 months for filter 3) on the filter's rating plate. Diarise the replacement date as a reminder
  6. Insert and turn anti-clockwise until the cartridge stops
  7. Once all cartridge have been replaced turn on the water supply



- Indicative minimum replacement frequency:

1	Sediment and Dirt Particles Removal Cartridge	3 – 6 months
2	Chlorine, Taste/Odour Reduction Cartridge	3 – 6 months
3	Reverse Osmosis Membrane	12 – 24 months
4	Water Stabiliser	3 – 6 months or when TDS is less than 60 PPM

### 5.6 Troubleshooting

#### 5.6.1 Common Problems

In the event of severe failure, it is essential to turn isolate the unit from the power supply and close the water shut-off valve.

PROBLEM	POSSIBLE SOLUTION
The oven does not start.	Check that the power supply is turned on
	Make sure the oven door is properly closed
	Make sure the parameters of the cooking cycle have been set correctly
	Make sure the oven does not have any error messages displayed
	If the problem persists, Contact the Stoddart service department
The fans stops during operation.	Turn off the oven and wait for the thermal breaker of the motor to be restored automatically
	Make sure the cooling vents are not obstructed
	If the problem persists, Contact the Stoddart service department
Internal lighting is not working	Contact the Stoddart service department
Water is not delivered from humidifier pipes	Check that the water shut-off valve is open
	If the problem persists, Contact the Stoddart service department

#### 5.6.2 Door Micro Switch

The door micro-switch is the device which stops the cooking cycle of the oven when the door is opened. Once the door is closed, the regular cycle is resumed. Do not operate this device manually with the oven door open.


#### 5.6.3 Motor Thermal Breaker

The fan motor is equipped with a built-in thermal protection which stops operation in case of overheating. The motor restarts automatically as soon as its temperature is lowered, returning within the safety range.

#### 5.6.4 Safety Thermostat Of The Oven Chamber

If the temperature in the oven chamber reaches 350°C, the thermostat disconnects the power supply to the heating elements of the oven. This safety device can be reset only by a qualified support service technician because it requires further checks.

### 5.6.5 Technical Problems / Alarm Code

	<b>WARNING</b>
	<p><b>Technician tasks are only to be completed by qualified service people. Check faults before calling service technician.</b></p>

ALARM	DESCRIPTION	ACTION	SOLUTIONS
E01 - Chamber probe	Chamber probe failure	Cooking stopped, automatic restore	Replace chamber probe. Contact the Stoddart service department
E17 - Core probe	Core probe error	Manual restore	Replace core probe. Contact the Stoddart service department
E12 - GAS	Gas burner block	Cooking stopped, manual restore	Check the gas valve, shut-off valve, and the hood with gas safety device. Reset the alarm by pressing the navigation dial for 1 second. If the problem persists, contact the technical support service or your local retailer
E13 - GAS 2	Gas second burner block	Cooking stopped, manual restore	Check the gas valve, shut-off valve, and the hood with gas safety device. Reset the alarm by pressing the navigation dial for 1 second. If the problem persists, contact the technical support service or your local retailer
E05 - Motor safety E11 - Motor safety2	Motor Alarm	Cooking stopped, automatic re-arm	If continuous, contact the Stoddart service department
E03 - Inverter code	Motor Inverter Alarm	Cooking stopped, automatic re-arm	Contact the Stoddart service department
E06 - Chamber safety	Chamber safety thermal	Cooking stopped	The motor restarts automatically as soon the temperature lowers, returning within the safety range
E07 - PWM	PWM board error (communication timeout or problems on fan speed)	Cooking stopped	Contact the Stoddart service department
E08 - PWM 2	PWM second board error (communication timeout or problems on fan speed)	Cooking stopped	Contact the Stoddart service department
E04 - Air Flow	Air capacity on gas burner alarm	Cooking stopped, manual restore	Contact the Stoddart service department
E18 - Air Flow 2	Air capacity on second gas burner alarm	Cooking stopped, manual restore	Contact the Stoddart service department
E14 / E15 - Hi temp	Technical compartment temperature too high	Cooking stopped, automatic restore	Check oven's perimeter ventilation, the lower air filter (page. 56) and the correct functioning of the cooling fans of the components.
E21 - No water	No water for the production of steam	Cooking stopped, automatic restore.	Check connection to water duct, the boiler and water pressure. Check opening of the shut-off valve.
E24 - No water flow meter	Washing flow meter alarm	Washing is stopped	Check connection to water duct and opening of the shut-off cook
E09 - Com PWM	PWM board communication error	Cooking stopped	Contact the Stoddart service department
E10 - Com PWM2	PWM2 board communication error	Cooking stopped	Contact the Stoddart service department
E16 - Communication	Main board communication error	Cooking stopped	Switch off at main, if persists: Contact the Stoddart service department
E23 - No drain	Boiler water did not drain correctly	Cooking stopped	Switch off at main, if persists: Contact the Stoddart service department
E22 - Power failure	Electrical power failure	Cooking stopped	Press encoder button for 1 Second
E19 - Probe 4	Humidity control system probe 4 failure	Cooking stopped	Contact the Stoddart service department
E20 - Probe 5	Humidity control system probe 5 failure	Cooking stopped	Contact the Stoddart service department

### 5.7 Scheduled Maintenance Service History

To ensure the continued performance and reliability of this oven, routine maintenance and servicing are required at specific time intervals. Contact the Stoddart Service Department to book a service.

#### Australia

Email: [service@stoddart.com.au](mailto:service@stoddart.com.au)  
Tel: 1300 307 289

#### New Zealand

Email: [service@stoddart.co.nz](mailto:service@stoddart.co.nz)  
Tel: 0800 935 714

#### 5.7.1 Service Log

##### Initial Inspection

0 - 1 month

Date: .....

Hours: .....

Technician: .....

##### Scheduled maintenance service

2500 hours / 12 months (whichever occurs first)

Date: .....

Hours: .....

Technician: .....

##### Scheduled maintenance service

5000 hours / 24 months (whichever occurs first)

Date: .....

Hours: .....

Technician: .....

##### Scheduled maintenance service

7500 hours / 36 months (whichever occurs first)

Date: .....

Hours: .....

Technician: .....

##### Scheduled maintenance service

10000 hours / 48 months (whichever occurs first)

Date: .....

Hours: .....

Technician: .....

**5.8 Accessories and Consumables**

Contact the Stoddart Spare Parts department to place an order.

**Australia**

Email: [spares@stoddart.com.au](mailto:spares@stoddart.com.au)  
 Tel: 1300 307 289

**New Zealand**

Email: [spares@stoddart.co.nz](mailto:spares@stoddart.co.nz)  
 Tel: 0800 935 714

Code	Description
SPGI.7080536	Giorik Cleaning Tablets – Container of 120 Tablets
SPGI.7080533	Giorik Liquid Descaler and Rinse Aid - 2 x 5 Litre
CNCL.0105	Combi Foam Oven Cleaner - 2 x 5 Litre (liquid chemical)
SPGI.SMK01	Digital Smoker
SPGI.6000129	Sous Vide Probe
SPGI.CBH.002	Wall Mount Bracket (liquid chemical)
SPGI.CBH.001	Side Stand mounting (liquid chemical)
SPAR.XSE.AX10-CCF	1 - Sediment and Dirt Particles Removal Cartridge
SPAR.XSE.AX10-GAC	2 - Chlorine, Taste/Odour Reduction Cartridge
SPAR.XSE.AX10-ROM	3 - Reverse Osmosis Membrane
SPAR.XSE.AX10-WS	4 - Water Stabiliser
SPAR.WFS.FS28N00A00	BWT Bestprotect XL Filter Cartridge

SDS sheets will be provided with each delivery.



Online Order



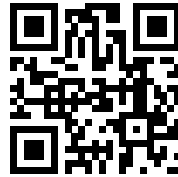
## Australia

**Service / Spare Parts**

Tel: 1300 307 289

Email: [service@stoddart.com.au](mailto:service@stoddart.com.au)

Email: [spares@stoddart.com.au](mailto:spares@stoddart.com.au)



Service Request

**Sales**

Tel: 1300 79 1954

Email: [sales@stoddart.com.au](mailto:sales@stoddart.com.au)

[www.stoddart.com.au](http://www.stoddart.com.au)

Australian Business Number: 16009690251

---

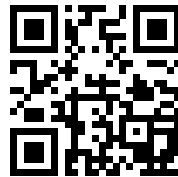
## New Zealand

**Service / Spare Parts**

Tel: 0800 935 714

Email: [service@stoddart.co.nz](mailto:service@stoddart.co.nz)

Email: [spares@stoddart.co.nz](mailto:spares@stoddart.co.nz)



Service Request

**Sales / Spare Parts**

Tel: 0800 79 1954

Email: [sales@stoddart.co.nz](mailto:sales@stoddart.co.nz)

Email: [spares@stoddart.co.nz](mailto:spares@stoddart.co.nz)

[www.stoddart.co.nz](http://www.stoddart.co.nz)

New Zealand Business Number: 6837694

---

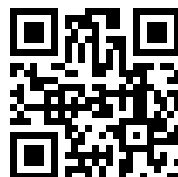
## International

**Service / Spare Parts**

Tel: +617 3440 7600

Email: [service@stoddart.com.au](mailto:service@stoddart.com.au)

Email: [spares@stoddart.com.au](mailto:spares@stoddart.com.au)



Service Request

**Sales**

Tel: +617 3440 7600

Email: [sales@stoddart.com.au](mailto:sales@stoddart.com.au)

[www.stoddart.com.au](http://www.stoddart.com.au)