

Sandwich Preparation Benches - Flat Deck

W.SM.xx

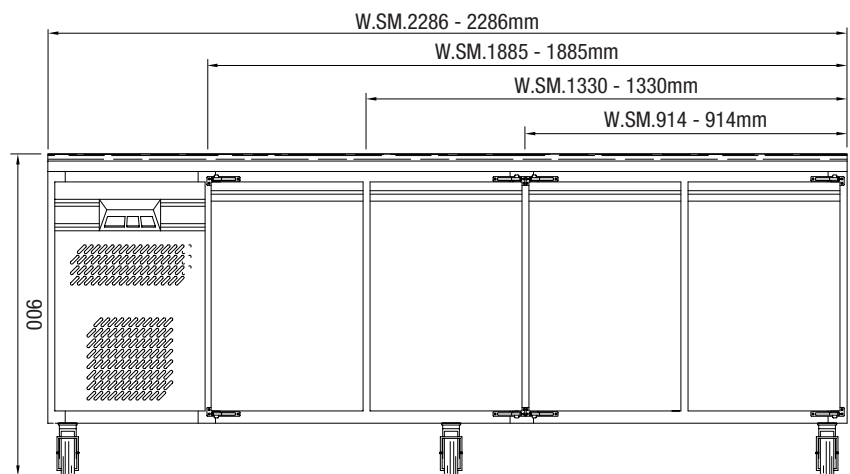
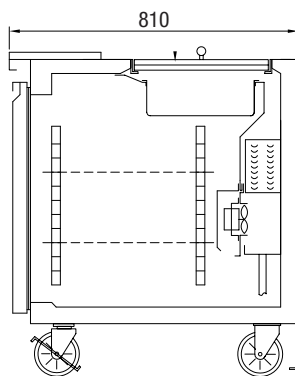


Product Information:

- Refrigerated blown air cold well with under-counter refrigeration
- Features air vents blowing a cold air blanket over the cold well
- Designed to operate at ambient temperatures up to 32°C
- Adjustable digital controller designed to hold temperature accurately between 2°C and 5°C
- Unique full-length back mounted evaporator coil
- Double glazed, toughened straight glass gantry (flat deck supplied with acrylic well covers as standard)
- Rear toughened glass doors to gantry as standard
- Exterior & interior made from food grade stainless steel
- Undermount refrigeration unit with in built heated evaporator tray - no drain connection required
- Undercounter fridge doors are stainless steel self-closing with magnetic gaskets
- Undercounter fridge supplied with 2 plastic coated zinc-plated steel shelves per door
- Supplied on 130mm removable castors for ease of cleaning or plinth mounting
- Supplied as standard with 1/3 100mm deep gastronorm pans and support bars to suit
- Other pan sizes and combinations available
- Wide range of functional accessories available

Specifications

Model	W.SM.914	W.SM.1330	W.SM.1885	W.SM.2286
Height	900mm	900mm	900mm	900mm
Width	914mm	1330mm	1885mm	2286mm
Depth	810mm	810mm	810mm	810mm
Power	0.6kW (10A plug & lead fitted)	0.6kW (10A plug & lead fitted)	0.96kW (10A plug & lead fitted)	1.2kW (10A plug & lead fitted)
Gas	R404A	R404A	R404A	R404A



Due to continuous product research and development, the information contained herein is subject to change without notice.

Revision: 04/06/2019

www.stoddart.com.au

www.stoddart.co.nz