

Supertoast Toaster Griller

W.GTQI18S.10 / W.GTQI18S.15

The Woodson Supertoast is essential to get that perfect toast on all your open snacks. The Supertoast is an efficient, dependable, and cost effective unit that completes any commercial kitchen.

With a rapid 15 second start-up time, 5 minute timer and exceptional even heat distribution on both top and bottom chrome-plated toasting racks, costly and lengthy heat up times have been eliminated, while making multi-tasking easy



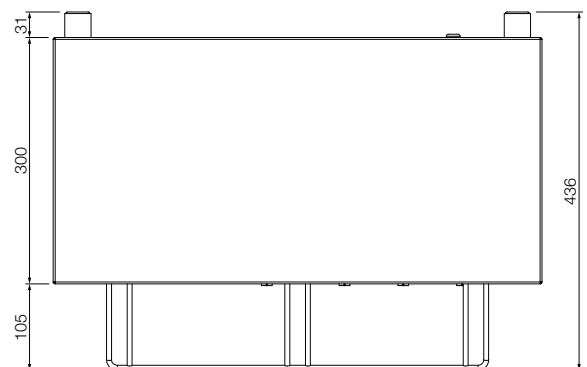
Product Information:

- Energy efficient 'instant' heat glass infrared elements
- Fast, exceptionally even grilling and toasting
- Timer controlled operation
- Select top & bottom or top only heat
- Multiple position slides and rack for safer loading
- Easy to clean removable crumb tray
- Stainless steel construction
- Available in 10/15 Amp models
- Variable top and bottom independent temperature controls
- 5 minute timer with bypass switch for continuous operation

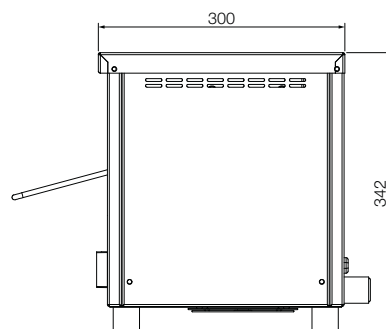
Specifications:

Model W.GTQI8S.10
Height 342mm
Width 595mm
Depth 436mm
Weight 18kg
Power 2.4kW
 10A plug & lead fitted
Capacity 8 Slice

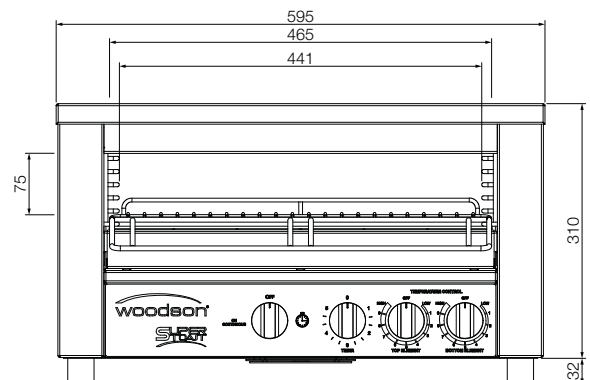
Model W.GTQI8S.15
Height 342mm
Width 595mm
Depth 436mm
Weight 18kg
Power 3.6kW
 15A plug & lead fitted
Capacity 8 Slice



Top View



Side View



Front View

Due to continuous product research and development, the information contained herein is subject to change without notice.

Revision: 27/05/2019

www.stoddart.com.au

www.stoddart.co.nz