

Technical data sheet for

# ELECTRIC GRIDDLE 600mm

GP8600E-B, GP8600E-CB, GP8600E-LS



GP8600E-LS

- Heavy-duty thermostatic electric griddle
- 20mm thick griddle plate
- Ribbed plate options
- Chromed mirror plate options
- Top weld sealed plates
- 7.2kW heating elements
- 3 models of base unit
- Stainless steel exterior
- Easy clean
- Easy service
- Fully modular
- Low back models (GPL) available

## Overall Construction

### GRIDDLE

- 20mm thick machined top plates standard
- Optional ribbed plate sections
- Optional mirror finish hard chrome plates
- 2.5mm thick 304 stainless steel splash guards sides and rear
- 2.0mm thick grease channel
- Single temperature control zone
- Welded hob surround with 1.5mm 304 stainless steel bull nose
- Splashback and side panels 1.2mm 304 stainless steel
- Front panels 0.9mm 304 stainless steel
- Stainless steel grease drawer
- Overlapping finish at front and rear of plate for easy clean

### BENCH MOUNT (SUPPLIED AS -B MODEL)

- Four 63mm dia. heavy-duty 1.2mm 304 stainless steel bench legs with adjustable feet
- Adjustable height 80mm – 105mm

### CABINET BASE (SUPPLIED AS -CB MODEL)

- Fully modular for match suite finish
- Double skin 0.9mm 304 stainless steel interior and exterior
- Optional GN 1/14 position racking kit
- 63mm dia. heavy-duty 1.2mm 304 stainless steel legs with adjustable feet

### LEG STAND (SUPPLIED AS -LS MODEL)

- Fully modular for matched suite finish
- Framed top for connection to Griddle
- 63mm dia. heavy-duty 1.2mm 304 stainless steel legs with adjustable feet
- Fully modular framed stand shelf with 0.9mm 304 stainless steel finish
- Suitable for rear or through shelf gas connection to Griddle
- Quick assembly design (no tools required)

## Controls

- 50-300°C thermostats
- Single temperature control zone
- Large easy use control knob - heat resistant reinforced
- Easy view control settings on knob
- Indicator lights for power and heating

## Cleaning and Servicing

- All models with easy clean stainless steel external finish
- Plate is finished front and rear with overlap construction to remove cleaning traps
- Control service through front of unit

# Technical data sheet for ELECTRIC GRIDDLE 600mm



## Specifications

### Elements

3 x 2.4kW stainless steel sheathed heating elements

### Electrical requirements

7.2kW

230-240Vac, 50/60Hz, 1P+N+E, 30A

### Plate

Cooking surface 592mm x 530mm, 3138cm<sup>2</sup>

### Electrical connection

130mm from RH side, 32mm from rear, and 740mm from floor

### DIMENSIONS

#### Bench models

Width 600mm

Depth 805mm

Height 315mm

Incl. splashback 530mm

Incl. low back 370mm

#### All models (excluding Bench model)

Width 600mm

Depth 805mm

Height 915mm

Incl. splashback 1130mm

Incl. low back 970mm

### NETT WEIGHT

#### Bench and Leg Stand models

118kg

#### Cabinet Base models

120kg

### PACKING DATA

#### Bench models

0.37m<sup>3</sup>, 170kg

Width 645mm

Depth 870mm

Height 665mm

#### All models (excluding Bench model)

0.70m<sup>3</sup>, 172kg

Width 645mm

Depth 870mm

Height 1255mm

### OPTIONS AT EXTRA COST

Joining caps

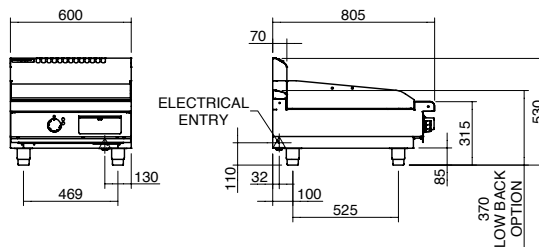
Castors

Plinth mounting

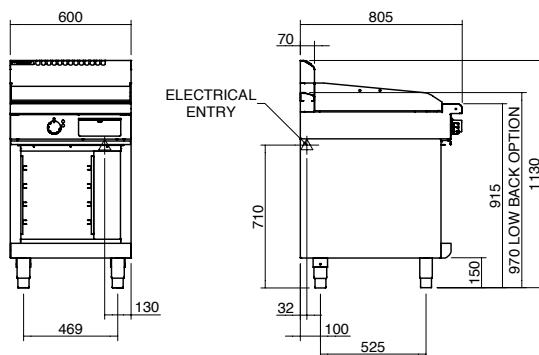
Ribbed plate options

Chromed plate options

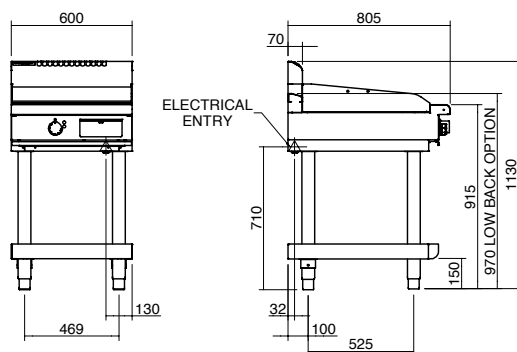
### GP8600E-B BENCH MODEL



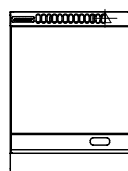
### GP8600E-CB CABINET BASE



### GP8600E-LS LEG STAND



### PLAN



Australia  
www.moffat.com.au  
New Zealand  
www.moffat.co.nz

Australia  
Moffat Pty Limited

Victoria/Tasmania  
740 Springvale Road  
Mulgrave, Victoria 3170  
Telephone 03-9518 3888  
Facsimile 03-9518 3833  
vsales@moffat.com.au

New South Wales  
Telephone 02-8833 4111  
nswsales@moffat.com.au

South Australia  
Telephone 03-9518 3888  
vsales@moffat.com.au

Queensland  
Telephone 07-3630 8600  
qldsales@moffat.com.au

Western Australia  
Telephone 08-9202 6820  
bgarcia@moffat.com.au

New Zealand  
Moffat Limited

Christchurch  
Telephone 03-389 1007  
sales@moffat.co.nz

Auckland  
Telephone 09-574 3150  
sales@moffat.co.nz



Designed and manufactured by



ISO9001  
All Waldorf products are designed and manufactured by Moffat using the internationally recognised ISO9001 quality management system, covering design, manufacture and final inspection, ensuring consistent high quality at all times.

In line with policy to continually develop and improve its products, Moffat Limited reserves the right to change specifications and design without notice.

Printed in New Zealand  
© Copyright Moffat Limited  
Moffat/BH/6864

